

D-SERIES

COMPACT EXCAVATORS



JOHN DEERE





Their possibilities are almost endless.

Want to position yourself for greater productivity? Try the D-Series Compacts. Their reduced- (17D) and zero-tail-swing (27D, 35D, and 50D) designs allow these nimble excavators to rotate fully without banging their tails into something. Combined with independent-swing boom and 360-degree rotation, they slip into close quarters comfortably and work with ease around obstacles. But it's not just their shape and small stature that make the 17D, 27D, 35D, and 50D such valuable assets. Numerous enhancements such as higher-torque diesels, quicker cycles, faster transport speeds, and increased drawbar pulls make these highly capable compacts even more able. So you can put more work within reach.



Reduced- and zero-tail-swing designs make these compact excavators even more productive, for extra maneuverability in close quarters.

Spacious operator stations and refined cabs provide best-in-class comfort and visibility.

Quiet-running EPA IT4/EU Stage IIIB (EPA Tier 4/EU Stage IV on 17D) direct-injected diesels deliver generous torque and impressive fuel efficiency.

Standard coupler accommodates a wide variety of available attachments such as hydraulic breakers and augers.

Extended service intervals help maximize uptime and minimize operating cost.



D-Series key specifications	17D	27D	35D	50D
Rated Power	11.0 kW (14.8 hp)	19.7 kW (26.4 hp)	21.3 kW (28.6 hp)	28.4 kW (38.1 hp)
Max. Digging Reach	3.90 m (12 ft. 10 in.)	4.67 m (15 ft. 4 in.)	5.21 m (17 ft. 1 in.)	5.94 m (19 ft. 6 in.)
Max. Digging Depth	2.17 m (7 ft. 1 in.)	2.59 m (8 ft. 6 in.)	3.05 m (10 ft. 0 in.)	3.55 m (11 ft. 8 in.)
Operating Weight	1893 kg (4,173 lb.)	2887 kg (6,358 lb.)	3520 kg (7,760 lb.)	4904 kg (10,811 lb.)



A more comfortable interior for a more productive day.

Step aboard one of these John Deere excavators and you'll discover that compacts don't have to be uncomfortable. The D-Series' spacious operator stations won't cramp your style. Seat and controls are positioned to accommodate bigger operators, and unobstructed visibility provides a commanding view of the work at hand and jobsite around you. For year-round comfort and increased productivity, add a heated and air-conditioned cab (not available on 17D). Just like the canopy-equipped models, visibility and roominess are second to none.

1. Go from backhoe- to excavator-style controls with just a twist of your wrist. Control pattern selector valve is conveniently located in a compartment beneath the seat and includes a sight glass that displays the selected pattern.

2. Ergonomic low-effort pilot controls direct an open-center, variable-displacement hydraulic system for exceptionally smooth, combined-function performance. So even unfamiliar operators become proficient more quickly. Auxiliary hydraulics are controlled with the slide switch atop the right-hand lever.

3. Swing boom and foldable travel pedals (on 27D, 35D, and 50D) are positioned to provide efficient operation while maximizing foot room. Generous entryways ease entrance and exit.

4. Gauges and warning lights on easy-to-read monitors (17D shown) provide operating information at a glance.

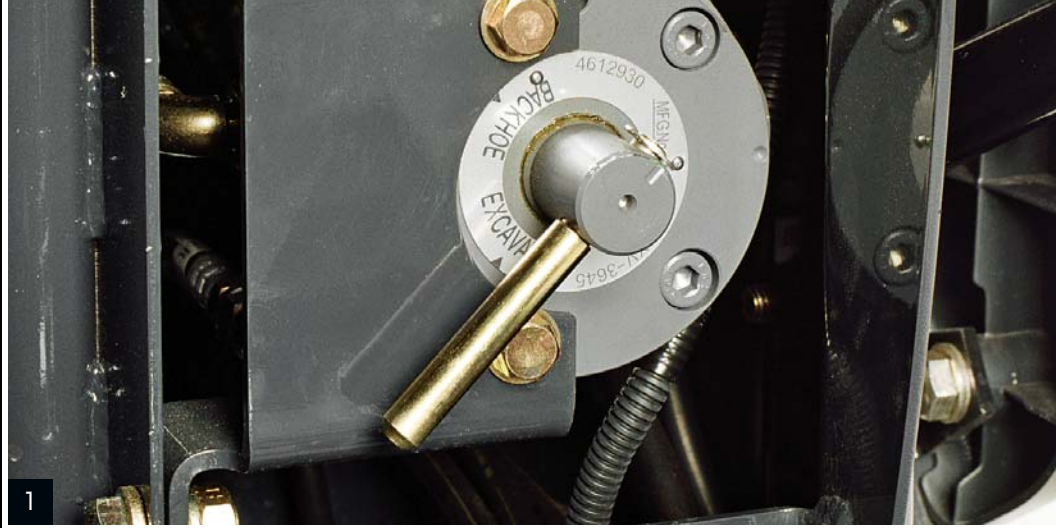
Bi-fold door latches securely and doesn't protrude beyond the cab for open-door operation. Hinged design allows a wider entryway.

Auto-idle in the 35D and 50D slows engine speed when the pilot-control levers are momentarily released — for reduced fuel consumption and noise. Preset speed resumes when a lever is moved.

Flat, skid-resistant two-piece floor mat removes easily for clean-out, and an under-floor compartment on canopy-equipped models provides convenient storage for extra bucket teeth or tools.

Wide control spacing and adjustable seats provide daylong comfort. Suspension seat is available.

No pedal or operator activation required for high-speed travel on the 27D, 35D, and 50D. Track speeds automatically slow to low whenever the travel motors encounter a heavier load. Includes a console-mounted, low-speed lock switch.



Minimum tail swing, maximum versatility.

Sure, their compact sizes and reduced- or zero-tail-swing designs enable these small but mighty machines to specialize in close-quarters work. But that's not the only reason to run one. Their highly fuel-efficient, direct-injected diesels are noticeably quiet so you can put them to work almost anywhere, any time. Standard-equipped with backfill blade, mechanical quick-coupler, and auxiliary hydraulics, plus any of the many optional Worksite Pro™ attachments, they can make a sizeable impact on your versatility. As well as your bottom line.



1. Need more digging depth or reach? Choose the long-arm/heavy-counterweight option that provides an increase in both.
2. The 35D and 50D can be equipped with an optional, hydraulic, adjustable-angle backfill blade that features 25 degrees of adjustment to both the left and right for more efficient trench backfilling. Blade angle changes easily with buttons on top of the blade-control lever.
3. High sideboards are no problem for these compacts. Lift height and reach are plentiful, making truck loading easy.
4. Why allow obstacles to dictate how you work? Get a D-Series Compact and put its independent-swing boom and 360-degree rotation to good use.
5. Choose the tracks that are best for the way you work. Rubber tracks traverse virtually any terrain, including paved surfaces. Steel tracks and steel tracks with rubber pads are also available. The optional rubber grousers (shown) combine work-anywhere flexibility with steel-track serviceability.



JOHN DEERE

DEERE

350

Rubber tracks, narrow width, and reduced or zero tail swing let these compacts tackle tasks that used to be handwork.

Large diesels deliver increased torque for more pull-through power when the going gets tough.



Expand your horizons.

If getting there is half your battle, enlist a 17D. Its compact stature lets this small wonder deliver mechanized muscle to places where shovels used to be the only option. The variable-width undercarriage can be hydraulically retracted, enabling it to navigate narrow openings and into tight quarters. Fast operating speeds, generous hydraulic flow, and powerful dig forces make things happen quickly. And since the easy-starting diesel is exceptionally quiet, you can work almost anywhere. You'll be amazed at all the tasks this highly capable compact can accomplish.



1. Standard equipped with independent swing boom, 360-degree rotation, and minimal tail swing, little gets in the way of the 17D.
2. Rubber tracks traverse virtually any terrain and are even welcome on finished surfaces. For increased life in tough conditions, opt for steel tracks.
3. Hose quick-couplers connect and disconnect under pressure, for fast, simple attachment switchover.
4. 17D arrives attachment-ready with manual quick-coupler and boom-mounted auxiliary hydraulics. So you can go from bucket to auger to whatever, quickly and easily.

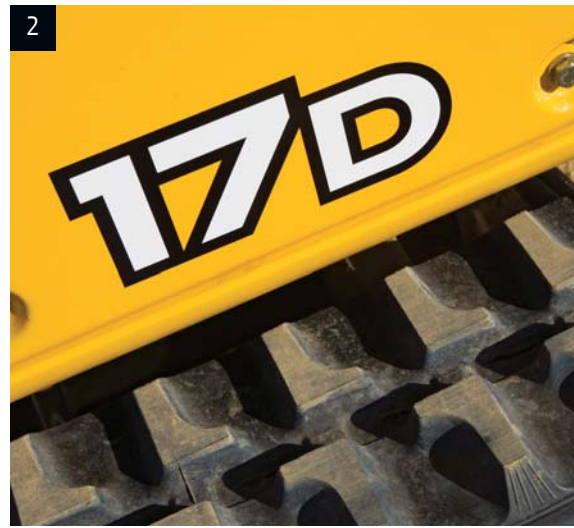
17D's variable-width undercarriage can be hydraulically retracted to fit through narrow openings, then easily repositioned to provide solid stability. Clears 2.44-m (8 ft.) overhead obstacles, too.

Ultra-reliable, fuel-efficient diesel employs advanced engine technology to meet EPA Tier 4/EU Stage IV emissions standards, far in advance of requirements. So you can put a 17D to work anywhere.

High drawbar pull delivers plenty of power for backfilling trenches or transporting materials around the jobsite.

For extra ability, a long-arm/heavy-counterweight option adds 203 mm (8 in.) of digging depth and reach, and 80 kg (176 lb.) of operating weight.

Return-flow selector valve accommodates both one- and two-way hydraulic-driven attachments.



Put more profit within reach with these attachments.

Want to do even more with these highly versatile compacts? Add any of the many available buckets and Worksite Pro™ attachments to your equipment arsenal and watch utilization take off. D-Series Excavators arrive attachment ready with boom-mounted auxiliary hydraulic lines and a quick-coupler that lets you go from bucket to breaker to whatever, quickly and easily. See your John Deere dealer today for details and financing options.

1. Return-flow selector valve accommodates both one- and two-way hydraulic-driven attachments. Make changes with just a twist of the wrist.
2. Ditch-cleaning buckets from 763 to 914 mm (30–36 in.) wide handle loose or mucky materials. Add a top clamp for additional material-handling ability.
3. Worksite Pro augers can be equipped with rock, heavy-duty, standard, and tree/shrub bits.
4. Manual quick-coupler makes fast work of attachment switchover.





4

Bust through blacktop, concrete, or other hard surfaces with a Worksite Pro breaker. Window screens are also available.

Worksite Pro breakers and augers also work on other John Deere compact machines, so you can make the most of your investment.

Numerous sizes and styles of bucket teeth and auger and breaker bits enhance versatility even further.

Compact size, big durability.

Just because they don't dig 9.14 m (30 ft.) deep like our large excavators doesn't mean these highly capable compacts are any less reliable. In fact, many of the same durability features that give our bigger machines their impressive uptime are yours in the D-Series. Unique features such as tungsten carbide-coated surfaces and oil-impregnated boom, arm, and bucket bushings help deliver unsurpassed long-term durability. When you know how they're built, you'll run a Deere.



1. Heavy-duty cast X-frame provides a solid, stable platform that resists material and dirt build-up.



2. Rubber tracks' unique steel cores resist cracking. Large-diameter drive sprockets and track idlers further increase undercarriage durability.



3. Single-pin swing-post design increases boom and arm stiffness and enhances the structural integrity of the digging components.



4. Wear-resistant hoses are routed where they're protected and secured to prevent excessive tension. Split design simplifies replacement.



Wet-disk swing brake provides long-term maintenance-free performance.

Heavy-duty shields deflect material and impacts, protecting the propel motors and boom and blade cylinders.

O-ring face-seal hydraulic fittings virtually eliminate aggravating and costly oil leaks.

Self-priming diesel helps you get back up and running quickly should you ever run out of fuel.

Unique tungsten-carbide thermal coating on the all-important bucket-to-arm joint creates an extremely wear-resistant surface that won't compromise joint strength.

Oil-impregnated bushings enhance durability and extend grease intervals to 500 hours for the arm-and-boom joint, and 100 hours for the bucket.

Extended oil and lube intervals require less of your time and attention.

Open just two doors to perform all maintenance checks and service.

Fuel-sipping diesels and auto-idle (35D/50D) preserve precious fuel.

Undercarriage X-beams and track frames are sloped to shed material build-up for easier clean-out.



Won't bust your tail (or your bottom line).

If there's a way to increase uptime, reduce your daily operating costs, and simplify maintenance, we've implemented it in the D-Series Excavators. Two-thousand-hour hydraulic oil, 500-hour engine oil, and 500-hour grease intervals require less maintenance and expense. Daily checks are done through a steel rear door that slides up and out of the way. If necessary, the operator station tilts forward, providing quick, wide-open component access. And of course, industry-leading parts and service are just as easily accessible at more than 1,300 John Deere locations coast to coast. Easy to work with, easy to maintain — that's the D-Series Excavators.

1. A simple grease gun and a wrench are all it takes to quickly maintain proper track tension.

2. Convenient lube/maintenance chart helps ensure that nothing gets overlooked.

3. Hydraulic fluid sight gauge and see-through coolant reservoir let you quickly check levels at a glance.

4. Vertical spin-on filters make fluid changes quicker and cleaner. Extended engine and hydraulic oil intervals let you work longer.

5. On the three larger models, the operator station tilts forward 50 degrees for quick and easy access to the swing motor, hydraulic control valve, engine starter motor, and alternator.

6. Nobody backs you better than the 1,300-plus John Deere CWP dealers throughout North America.



17D

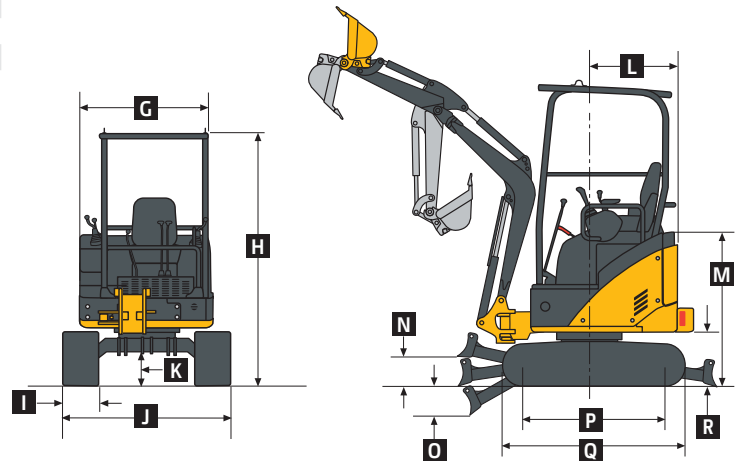
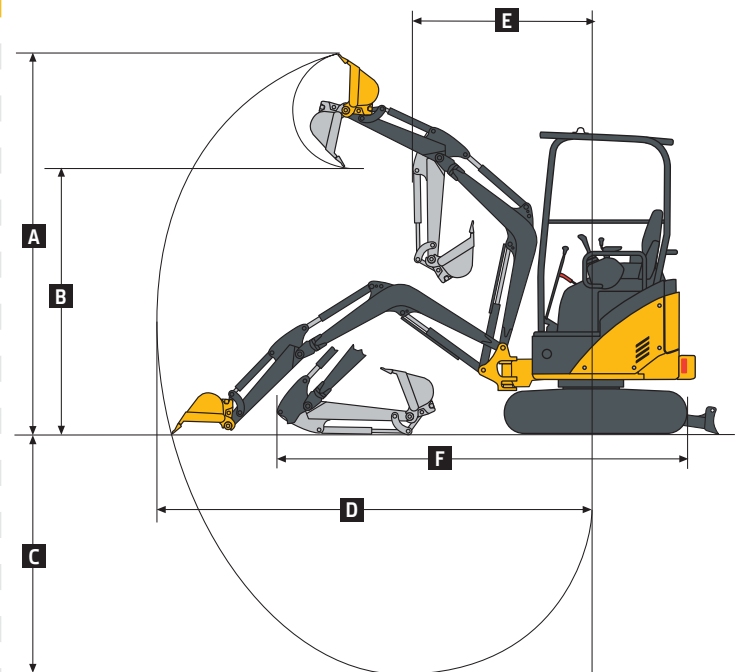


Engine		17D
Manufacturer and Model	Yanmar 3TNV70	
Non-Road Emissions Standard	EPA Final Tier 4/EU Stage IV	
Displacement	0.85 L (52 cu. in.)	
Net Power (ISO 9249)	11.0 kW (14.8 hp) at 2,400 rpm	
Powertrain		
Each track independently driven by hydrostatic axial-piston motor connected to 2-stage planetary gear-reduction box		
Travel Speed (maximum)		
Low	2.4 km/h (1.5 mph)	
High	4.3 km/h (2.7 mph)	
Swing Speed	8.9 rpm	
Swing Brake	Spring applied, hydraulically released, automatic	
Hydraulics		
Open center with 2 variable-displacement pumps and 1 fixed-gear pump		
Pump Flow		
Piston	2 x 19.2 L/m (2 x 5.1 gpm)	
Gear	12.5 L/m (3.3 gpm)	
Auxiliary Flow	31.7 L/m (8.4 gpm)	
Controls	Hydraulic pilot-operated for boom, arm, bucket, swing, boom swing, blade, travel, and auxiliary functions	
Electrical		
Alternator Rating	40 amp	
Work Lights	1 mounted on boom	
Undercarriage		
Planetary final drive; 2-speed axial-piston propel motors		
Tracks, Rubber	230 mm (9 in.)	
Ground Pressure (with rubber track)	28 kPa (4.1 psi)	
Upperstructure		
Independent Swing Boom		
Left	70 deg.	
Right	50 deg.	
Counterweight		
Standard	230 kg (507 lb.)	
Optional	80 kg (176 lb.)	
Tailswing Counterweight		
Standard	35 mm (1 in.)	
Optional	115 mm (5 in.)	
Serviceability		
Refill Capacities		
Fuel Tank	19.5 L (5.2 gal.)	
Engine Oil with Filter	3.1 L (3.3 qt.)	
Hydraulic Tank	20.2 L (5.3 gal.)	
Operating Weights		
	<i>0.93-m (3 ft. 1 in.) Standard Arm and Standard Counterweight</i>	<i>1.13-m (3 ft. 8 in.) Long Arm and Extra Counterweight</i>
With Full Fuel Tank and 79-kg (175 lb.) Operator		
With Rubber Track	1893 kg (4,173 lb.)	1979 kg (4,364 lb.)
With Steel Track	1959 kg (4,319 lb.)	2045 kg (4,508 lb.)



Operating Dimensions		17D	0.93-m (3 ft. 1 in.) Standard Arm and Standard Counterweight	1.13-m (3 ft. 8 in.) Long Arm and Extra Counterweight
A	Maximum Digging Height	3.56 m (11 ft. 8 in.)	3.66 m (12 ft. 0 in.)	3.66 m (12 ft. 0 in.)
B	Maximum Dumping Height	2.53 m (8 ft. 4 in.)	2.63 m (8 ft. 8 in.)	2.63 m (8 ft. 8 in.)
C	Maximum Digging Depth	2.17 m (7 ft. 1 in.)	2.37 m (7 ft. 9 in.)	2.37 m (7 ft. 9 in.)
D	Maximum Digging Reach	3.90 m (12 ft. 10 in.)	4.08 m (13 ft. 5 in.)	4.08 m (13 ft. 5 in.)
E	Minimum Front Swing Radius	1.54 m (5 ft. 1 in.)	1.63 m (5 ft. 4 in.)	1.63 m (5 ft. 4 in.)
F	Transport Length	3.59 m (11 ft. 9 in.)	3.64 m (11 ft. 11 in.)	3.64 m (11 ft. 11 in.)
Breakout Force				
	Bucket	16.0 kN (3,597 lb.)	16.0 kN (3,597 lb.)	16.0 kN (3,597 lb.)
	Arm	10.3 kN (2,316 lb.)	9.1 kN (2,046 lb.)	9.1 kN (2,046 lb.)

Machine Dimensions	
Blade Width	
	Minimum 0.98 m (3 ft. 3 in.)
	Maximum 1.28 m (4 ft. 2 in.)
Blade Height 260 mm (10.2 in.)	
G	Upperstructure Width 0.98 m (3 ft. 3 in.)
H	Overall Height to Roof 2.40 m (7 ft. 10 in.)
I	Track Width 230 mm (9 in.)
J Undercarriage Width	
	Minimum 0.97 m (3 ft. 2 in.)
	Maximum 1.28 m (4 ft. 2 in.)
K Ground Clearance	
	Rubber Track 165 mm (6.5 in.)
	Steel Track 145 mm (5.7 in.)
L Tail Swing Radius	
	Standard Arm 675 mm (27 in.)
	Long Arm 755 mm (30 in.)
M	Engine Cover Height 1.23 m (4 ft. 0 in.)
N	Maximum Blade Lift Above Ground 285 mm (11.2 in.)
O	Maximum Blade Drop Below Ground 240 mm (9.4 in.)
P Sprocket Center To Idler Center	
	Rubber Track 1.21 m (4 ft. 0 in.)
	Steel Track 1.20 m (3 ft. 11 in.)
Q Track Length	
	Rubber Track 1.57 m (5 ft. 2 in.)
	Steel Track 1.55 m (5 ft. 1 in.)
R Counterweight Clearance	
	Rubber Track 435 mm (17 in.)
	Steel Track 415 mm (16 in.)



Lift Capacities	Ground Level at 3.05-m (10 ft.) Radius			
	0.93-m (3 ft. 1 in.) Standard Arm, Standard Counterweight, and Rubber Track	1.13-m (3 ft. 8 in.) Long Arm, Extra Counterweight, and Rubber Track	0.93-m (3 ft. 1 in.) Standard Arm, Standard Counterweight, and Steel Track	1.13-m (3 ft. 8 in.) Long Arm, Extra Counterweight, and Steel Track
Over Front, Blade Down (limited by hydraulics)	444 kg (979 lb.)	437 kg (963 lb.)	444 kg (979 lb.)	437 kg (963 lb.)
Over Side	227 kg (500 lb.)	254 kg (559 lb.)	238 kg (524 lb.)	264 kg (583 lb.)

27D

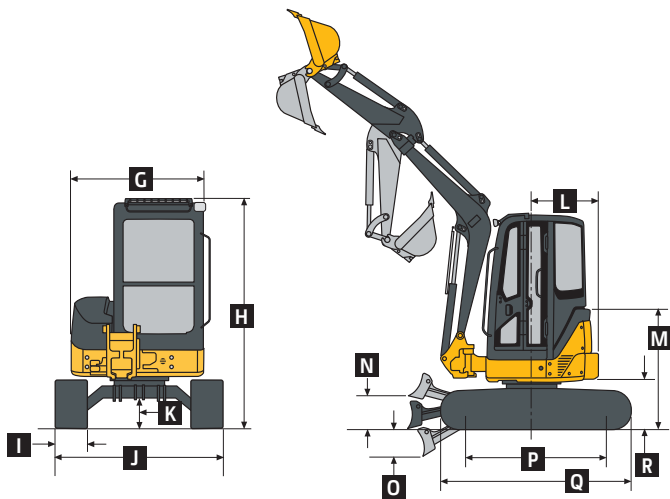
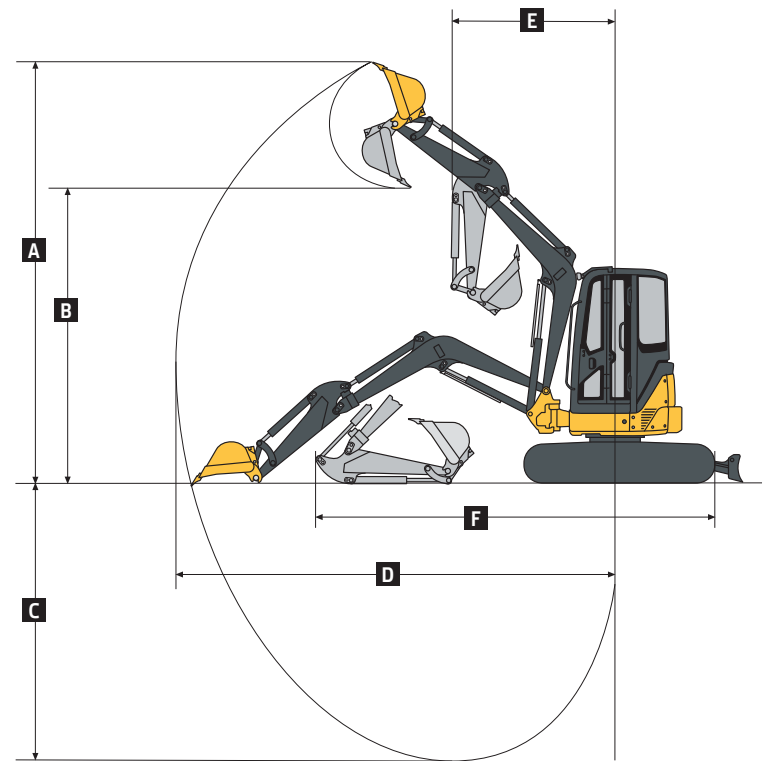


Engine		27D			
Manufacturer and Model	Yanmar 3TNV88				
Non-Road Emissions Standard	EPA Interim Tier 4/EU Stage IIIB				
Displacement	1.6 L (100 cu. in.)				
Net Power (ISO 9249)	19.7 kW (26.4 hp) at 2,200 rpm				
Powertrain		Each track independently driven by hydrostatic axial-piston motor connected to 2-stage planetary gear-reduction box			
Travel Speed (maximum)					
Low	2.6 km/h (1.6 mph)				
High	4.5 km/h (2.8 mph)				
Swing Speed	9.1 rpm				
Swing Brake	Spring applied, hydraulically released, automatic				
Hydraulics		Open center with 2 variable-displacement pumps and 1 fixed-gear pump			
Pump Flow					
Piston	2 x 31.0 L/m (2 x 8.2 gpm)				
Gear	16.7 L/m (4.4 gpm)				
Auxiliary Flow	52.6 L/m (13.9 gpm)				
Controls	Hydraulic pilot-operated for boom, arm, bucket, swing, boom swing, blade, and travel				
Electrical		40 amp			
Alternator Rating	40 amp				
Work Lights	2 halogen: 1 mounted on operator's station and 1 mounted on boom				
Undercarriage		2-speed axial-piston propel motors			
Tracks, Rubber		300 mm (12 in.)			
Ground Pressure					
	<i>1.17-m (3 ft. 10 in.) Standard Arm, Canopy, and Standard Counterweight</i>	<i>1.17-m (3 ft. 10 in.) Standard Arm, Cab, and Standard Counterweight</i>	<i>1.47-m (4 ft. 10 in.) Long Arm, Canopy, and Extra Counterweight</i>	<i>1.47-m (4 ft. 10 in.) Long Arm, Cab, and Extra Counterweight</i>	
With Rubber Track	28.0 kPa (4.06 psi)	30.0 kPa (4.35 psi)	30.9 kPa (4.49 psi)	34.6 kPa (5.02 psi)	
Upperstructure					
Independent Swing Boom		<i>1.17-m (3 ft. 10 in.) Standard Arm, Canopy, and Standard Counterweight</i>	<i>1.17-m (3 ft. 10 in.) Standard Arm, Cab, and Standard Counterweight</i>	<i>1.47-m (4 ft. 10 in.) Long Arm, Canopy, and Extra Counterweight</i>	<i>1.47-m (4 ft. 10 in.) Long Arm, Cab, and Extra Counterweight</i>
Left	72 deg.	62 deg.	72 deg.	62 deg.	
Right	62 deg.	62 deg.	62 deg.	62 deg.	
Counterweight					
Standard	292 kg (644 lb.)				
Additional	190 kg (420 lb.)				
Serviceability					
Refill Capacities					
Fuel Tank	40 L (10.6 gal.)				
Cooling System	5.0 L (5.3 qt.)				
Engine Oil with Filter	7.2 L (7.6 qt.)				
Hydraulic Tank	32 L (8.5 gal.)				
Operating Weights					
	<i>1.17-m (3 ft. 10 in.) Standard Arm, Canopy, and Standard Counterweight</i>	<i>1.17-m (3 ft. 10 in.) Standard Arm, Cab, and Standard Counterweight</i>	<i>1.47-m (4 ft. 10 in.) Long Arm, Canopy, and Extra Counterweight</i>	<i>1.47-m (4 ft. 10 in.) Long Arm, Cab, and Extra Counterweight</i>	
With Full Fuel Tank and 79-kg (175 lb.) Operator	2887 kg (6,358 lb.)	3055 kg (6,730 lb.)	3060 kg (6,739 lb.)	3228 kg (7,111 lb.)	



Operating Dimensions		27D			
		1.17-m (3 ft. 10 in.) Standard Arm, Canopy, and Standard Counterweight	1.17-m (3 ft. 10 in.) Standard Arm, Cab, and Standard Counterweight	1.47-m (4 ft. 10 in.) Long Arm, Canopy, and Extra Counterweight	1.47-m (4 ft. 10 in.) Long Arm, Cab, and Extra Counterweight
A	Maximum Digging Height	4.45 m (14 ft. 7 in.)	4.28 m (14 ft. 1 in.)	4.55 m (14 ft. 11 in.)	4.35 m (14 ft. 3 in.)
B	Maximum Dumping Height	3.19 m (10 ft. 6 in.)	3.03 m (9 ft. 11 in.)	3.30 m (10 ft. 10 in.)	3.12 m (10 ft. 3 in.)
C	Maximum Digging Depth	2.59 m (8 ft. 6 in.)	2.59 m (8 ft. 6 in.)	2.89 m (9 ft. 6 in.)	2.89 m (9 ft. 6 in.)
D	Maximum Digging Reach	4.67 m (15 ft. 4 in.)	4.67 m (15 ft. 4 in.)	4.92 m (16 ft. 2 in.)	4.92 m (16 ft. 2 in.)
E	Minimum Front Swing Radius	1.96 m (6 ft. 5 in.)	2.05 m (6 ft. 9 in.)	2.04 m (6 ft. 8 in.)	2.10 m (6 ft. 11 in.)
F	Transport Length	4.20 m (13 ft. 9 in.)	4.28 m (14 ft. 1 in.)	4.20 m (13 ft. 9 in.)	4.28 m (14 ft. 1 in.)
Breakout Force					
	Bucket	22.2 kN (4,994 lb.)	22.2 kN (4,994 lb.)	22.2 kN (4,994 lb.)	22.2 kN (4,994 lb.)
	Arm	15.2 kN (3,410 lb.)	15.2 kN (3,410 lb.)	13.2 kN (2,970 lb.)	13.2 kN (2,970 lb.)

Machine Dimensions		
	Blade Width	1.55 m (5 ft. 1 in.)
	Blade Height	360 mm (14.2 in.)
G	Upperstructure Width	1.55 m (5 ft. 1 in.)
H	Overall Height	
	Canopy	2.46 m (8 ft. 1 in.)
	Cab	2.50 m (8 ft. 2 in.)
I	Track Width	305 mm (12 in.)
J	Undercarriage Width	1.55 m (5 ft. 1 in.)
K	Ground Clearance	320 mm (12.6 in.)
L	Tail Swing Radius	
	Standard Arm	775 mm (31 in.)
	Long Arm with Extra Counterweight	870 mm (34 in.)
M	Engine Cover Height	1.42 m (4 ft. 8 in.)
N	Maximum Blade Lift Above Ground	360 mm (14 in.)
O	Maximum Blade Drop Below Ground	315 mm (12 in.)
P	Sprocket Center To Idler Center	1.49 m (4 ft. 11 in.)
Q	Track Length	1.95 m (6 ft. 5 in.)
R	Counterweight Clearance	550 mm (22 in.)



Lift Capacities		27D			
Ground Level at 3.05-m (10 ft.) Radius		1.17-m (3 ft. 10 in.) Standard Arm, Canopy, and Standard Counterweight	1.17-m (3 ft. 10 in.) Standard Arm, Cab, and Standard Counterweight	1.47-m (4 ft. 10 in.) Long Arm, Canopy, and Extra Counterweight	1.47-m (4 ft. 10 in.) Long Arm, Cab, and Extra Counterweight
	Over Front, Blade Down (limited by hydraulics), with Rubber or Steel Track	1160 kg (2,554 lb.)	1160 kg (2,554 lb.)	1114 kg (2,453 lb.)	1114 kg (2,453 lb.)
	Over Side				
	With Rubber Track	410 kg (902 lb.)	440 kg (970 lb.)	490 kg (1,079 lb.)	521 kg (1,147 lb.)
	With Steel Track	427 kg (941 lb.)	458 kg (1,009 lb.)	508 kg (1,119 lb.)	538 kg (1,186 lb.)

35D

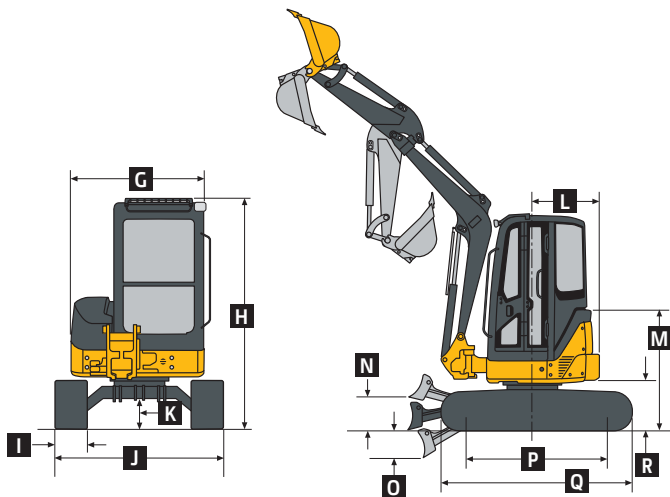
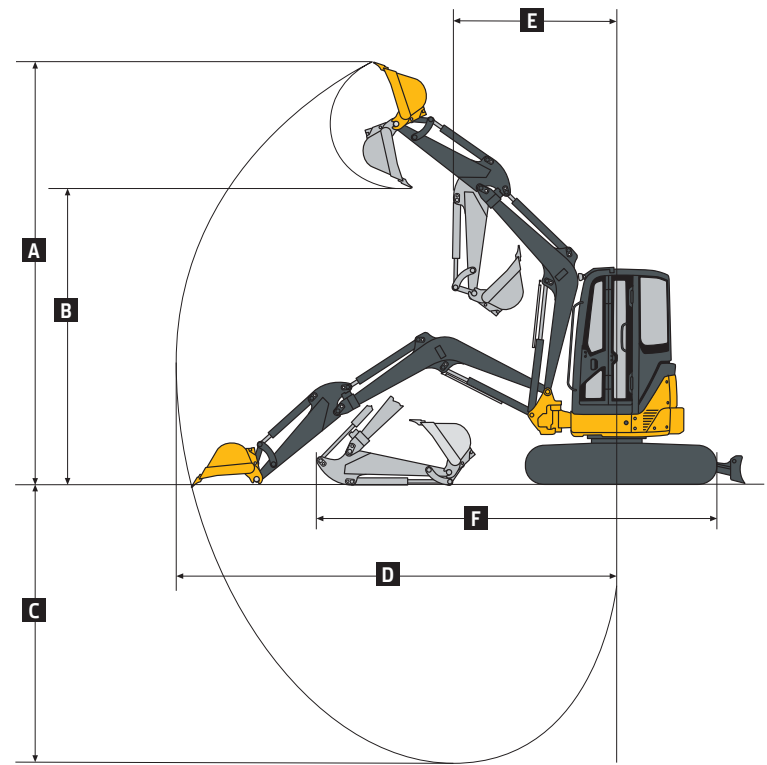


Engine		35D			
Manufacturer and Model	Yanmar 3TNV88				
Non-Road Emissions Standard	EPA Interim Tier 4/EU Stage IIIB				
Displacement	1.606 L (100.4 cu. in.)				
Net Power (ISO 9249)	21.3 kW (28.6 hp) at 2,400 rpm				
Powertrain		Each track independently driven by hydrostatic axial-piston motor connected to 2-stage planetary gear-reduction box			
Travel Speed (maximum)					
Low	2.8 km/h (1.7 mph)				
High	4.4 km/h (2.8 mph)				
Swing Speed	9.0 rpm				
Swing Brake	Spring applied, hydraulically released, automatic, disc type				
Hydraulics		Open center with 2 variable-displacement pumps and 1 fixed-gear pump			
Pump Flow					
Piston	2 x 40.1 L/m (2 x 10.6 gpm)				
Gear	26.1 L/m (6.9 gpm)				
Auxiliary Flow	66.2 L/m (17.5 gpm)				
Controls	Hydraulic pilot-operated for boom, arm, bucket, swing, boom swing, blade, and travel				
Electrical					
Alternator Rating	55 amp				
Work Lights	2 halogen: 1 mounted on operator's station and 1 mounted on boom				
Undercarriage		2-speed axial-piston propel motors			
Tracks, Rubber		300 mm (12 in.)			
Ground Pressure					
	<i>1.35-m (4 ft. 4 in.) Standard Arm, Canopy, and Standard Counterweight</i>	<i>1.35-m (4 ft. 4 in.) Standard Arm, Cab, and Standard Counterweight</i>	<i>1.75-m (5 ft. 8 in.) Long Arm, Canopy, and Extra Counterweight</i>	<i>1.75-m (5 ft. 8 in.) Long Arm, Cab, and Extra Counterweight</i>	
With Rubber Track	31.7 kPa (4.60 psi)	33.1 kPa (4.80 psi)	35.0 kPa (5.08 psi)	38.1 kPa (5.53 psi)	
Upperstructure					
Independent Swing Boom					
Left	72 deg. canopy / 62 deg. cab				
Right	62 deg. canopy or cab				
Counterweight					
Standard	566 kg (1,246 lb.)				
Additional	235 kg (518 lb.)				
Serviceability					
Refill Capacities					
Fuel Tank	40 L (10.6 gal.)				
Cooling System	5.0 L (5.3 qt.)				
Engine Oil with Filter	7.2 L (7.6 qt.)				
Hydraulic Tank	32 L (8.5 gal.)				
Operating Weights					
	<i>1.35-m (4 ft. 4 in.) Standard Arm, Canopy, and Standard Counterweight</i>	<i>1.35-m (4 ft. 4 in.) Standard Arm, Cab, and Standard Counterweight</i>	<i>1.75-m (5 ft. 8 in.) Long Arm, Canopy, and Extra Counterweight</i>	<i>1.75-m (5 ft. 8 in.) Long Arm, Cab, and Extra Counterweight</i>	
With Full Fuel Tank and 79-kg (175 lb.) Operator	3520 kg (7,760 lb.)	3690 kg (8,135 lb.)	3778 kg (8,329 lb.)	3948 kg (8,704 lb.)	



Operating Dimensions		35D			
		1.35-m (4 ft. 4 in.) Standard Arm, Canopy, and Standard Counterweight	1.35-m (4 ft. 4 in.) Standard Arm, Cab, and Standard Counterweight	1.75-m (5 ft. 8 in.) Long Arm, Canopy, and Extra Counterweight	1.75-m (5 ft. 8 in.) Long Arm, Cab, and Extra Counterweight
A	Maximum Digging Height	4.87 m (16 ft. 0 in.)	4.71 m (15 ft. 5 in.)	4.95 m (16 ft. 3 in.)	4.76 m (15 ft. 7 in.)
B	Maximum Dumping Height	3.47 m (11 ft. 5 in.)	3.32 m (10 ft. 11 in.)	3.57 m (11 ft. 9 in.)	3.39 m (11 ft. 1 in.)
C	Maximum Digging Depth	3.05 m (10 ft. 0 in.)	3.05 m (10 ft. 0 in.)	3.45 m (11 ft. 4 in.)	3.45 m (11 ft. 4 in.)
D	Maximum Digging Reach	5.21 m (17 ft. 1 in.)	5.21 m (17 ft. 1 in.)	5.52 m (18 ft. 1 in.)	5.52 m (18 ft. 1 in.)
E	Minimum Front Swing Radius	2.07 m (6 ft. 9 in.)	2.23 m (7 ft. 4 in.)	2.17 m (7 ft. 1 in.)	2.30 m (7 ft. 7 in.)
F	Transport Length	4.65 m (15 ft. 3 in.)	4.65 m (15 ft. 3 in.)	4.78 m (15 ft. 8 in.)	4.78 m (15 ft. 8 in.)
Breakout Force					
	Bucket	27.5 kN (6,182 lb.)	27.5 kN (6,182 lb.)	27.5 kN (6,182 lb.)	27.5 kN (6,182 lb.)
	Arm	19.1 kN (4,294 lb.)	19.1 kN (4,294 lb.)	17.2 kN (3,866 lb.)	17.2 kN (3,866 lb.)

Machine Dimensions		
	Blade Width	1.74 m (5 ft. 9 in.)
	Blade Height	370 mm (14.6 in.)
G	Upperstructure Width	1.55 m (5 ft. 1 in.)
H	Overall Height	
	Canopy	2.46 m (8 ft. 1 in.)
	Cab	2.50 m (8 ft. 2 in.)
I	Track Width	300 mm (12 in.)
J	Undercarriage Width	1.74 m (5 ft. 9 in.)
K	Ground Clearance	280 mm (11 in.)
L	Tail Swing Radius	
	Standard Arm	870 mm (34 in.)
	Long Arm with Extra Counterweight	960 mm (3 ft. 2 in.)
M	Engine Cover Height	1.42 m (4 ft. 8 in.)
N	Maximum Blade Lift Above Ground	370 mm (14.6 in.)
O	Maximum Blade Drop Below Ground	390 mm (15.4 in.)
P	Sprocket Center To Idler Center	1.65 m (5 ft. 5 in.)
Q	Track Length	2.11 m (6 ft. 11 in.)
R	Counterweight Clearance	550 mm (22 in.)



Lift Capacities		35D			
Ground Level at 3.05-m (10 ft.) Radius		1.35-m (4 ft. 4 in.) Standard Arm and Canopy	1.35-m (4 ft. 4 in.) Standard Arm and Cab	1.75-m (5 ft. 8 in.) Long Arm and Canopy	1.75-m (5 ft. 8 in.) Long Arm and Cab
	Over Front, Blade Down (limited by hydraulics), Standard or Extra Counterweight	1505 kg (3,315 lb.)	1505 kg (3,315 lb.)	1422 kg (3,133 lb.)	1422 kg (3,133 lb.)
	Over Side				
	Standard Counterweight	653 kg (1,439 lb.)	688 kg (1,516 lb.)	648 kg (1,428 lb.)	683 kg (1,505 lb.)
	Extra Counterweight	775 kg (1,708 lb.)	775 kg (1,708 lb.)	770 kg (1,697 lb.)	805 kg (1,773 lb.)

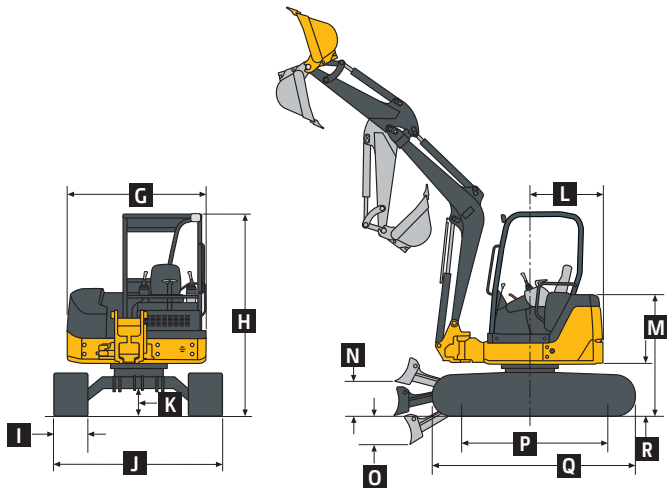
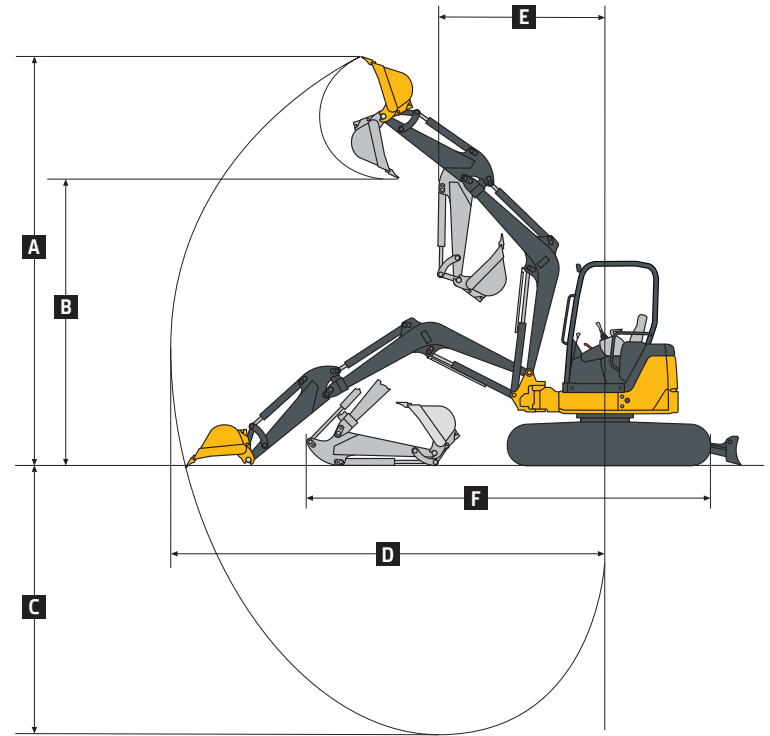
50D

Engine		50D			
Manufacturer and Model	Yanmar 4TNV88				
Non-Road Emissions Standard	EPA Interim Tier 4/EU Stage IIIB				
Displacement	2.19 L (134 cu. in.)				
Net Power (ISO 9249)	28.4 kW (38.1 hp) at 2,400 rpm				
Powertrain		Each track independently driven by hydrostatic axial-piston motor connected to 2-stage planetary gear-reduction box			
Travel Speed (maximum)					
Low	2.6 km/h (1.7 mph)				
High	4.2 km/h (2.7 mph)				
Swing Speed	9.0 rpm				
Swing Brake	Spring applied, hydraulically released, automatic				
Hydraulics		Closed center load sensing with 1 variable-displacement pump and 1 fixed-gear pump			
Pump Flow	124.9 L/m (33.0 gpm)				
Auxiliary Flow	85.2 L/m (22.5 gpm)				
Controls	Hydraulic pilot-operated for boom, arm, bucket, swing, boom swing, blade, and travel				
Electrical					
Alternator Rating	55 amp				
Work Lights	2 halogen: 1 mounted on operator's station and 1 mounted on boom				
Undercarriage		2-speed axial-piston propel motors			
Tracks, Rubber	406 mm (16 in.)				
Ground Pressure	<i>1.38-m (4 ft. 6 in.) Standard Arm, Canopy, and Standard Counter- weight</i>	<i>1.38-m (4 ft. 6 in.) Standard Arm, Cab, and Standard Counterweight</i>	<i>1.69-m (5 ft. 7 in.) Long Arm, Canopy, and Extra Counterweight</i>	<i>1.69-m (5 ft. 7 in.) Long Arm, Cab, and Extra Counterweight</i>	
With Rubber Track	28.0 kPa (4.06 psi)	28.0 kPa (4.06 psi)	30.9 kPa (4.49 psi)	30.9 kPa (4.49 psi)	
Upperstructure					
Independent Swing Boom					
Left	80 deg.				
Right	60 deg.				
Counterweight					
Standard	660 kg (1,455 lb.)				
Additional	220 kg (485 lb.)				
Serviceability					
Refill Capacities					
Fuel Tank	70 L (18.5 gal.)				
Cooling System	6.5 L (6.9 qt.)				
Engine Oil with Filter	8.6 L (9.1 qt.)				
Hydraulic Tank	50 L (13.2 gal.)				
Operating Weights					
	<i>1.38-m (4 ft. 6 in.) Standard Arm, Canopy, and Standard Counter- weight</i>	<i>1.38-m (4 ft. 6 in.) Standard Arm, Cab, and Standard Counterweight</i>	<i>1.69-m (5 ft. 7 in.) Long Arm, Canopy, and Extra Counterweight</i>	<i>1.69-m (5 ft. 7 in.) Long Arm, Cab, and Extra Counterweight</i>	
With Full Fuel Tank and 79-kg (175 lb.) Operator	4904 kg (10,811 lb.)	5064 kg (11,164 lb.)	5153 kg (11,360 lb.)	5313 kg (11,712 lb.)	



Operating Dimensions		50D			
		1.38-m (4 ft. 6 in.) Standard Arm, Canopy, and Standard Counterweight	1.38-m (4 ft. 6 in.) Standard Arm, Cab, and Standard Counterweight	1.69-m (5 ft. 7 in.) Long Arm, Canopy, and Extra Counterweight	1.69-m (5 ft. 7 in.) Long Arm, Cab, and Extra Counterweight
A	Maximum Digging Height	5.76 m (18 ft. 11 in.)	5.63 m (18 ft. 6 in.)	6.01 m (19 ft. 9 in.)	5.87 m (19 ft. 3 in.)
B	Maximum Dumping Height	4.08 m (13 ft. 5 in.)	3.96 m (13 ft. 0 in.)	4.33 m (14 ft. 2 in.)	4.20 m (13 ft. 9 in.)
C	Maximum Digging Depth	3.55 m (11 ft. 8 in.)	3.55 m (11 ft. 8 in.)	3.86 m (12 ft. 8 in.)	3.86 m (12 ft. 8 in.)
D	Maximum Digging Reach	5.94 m (19 ft. 6 in.)	5.94 m (19 ft. 6 in.)	6.24 m (20 ft. 6 in.)	6.24 m (20 ft. 6 in.)
E	Minimum Front Swing Radius	2.15 m (7 ft. 1 in.)	2.32 m (7 ft. 7 in.)	2.26 m (7 ft. 5 in.)	2.32 m (7 ft. 7 in.)
F	Transport Length	5.46 m (17 ft. 11 in.)	5.46 m (17 ft. 11 in.)	5.52 m (18 ft. 1 in.)	5.52 m (18 ft. 1 in.)
Breakout Force					
	Bucket	36.8 kN (8,273 lb.)	36.8 kN (8,273 lb.)	38.6 kN (8,273 lb.)	38.6 kN (8,273 lb.)
	Arm	24.0 kN (5,401 lb.)	24.0 kN (5,401 lb.)	21.0 kN (4,718 lb.)	21.0 kN (4,718 lb.)

Machine Dimensions					
	Blade Width	2.00 m (6 ft. 7 in.)			
	Blade Height	430 mm (17 in.)			
G	Upperstructure Width	1.85 m (6 ft. 1 in.)			
H	Overall Height				
	Canopy	2.51 m (8 ft. 3 in.)			
	Cab	2.55 m (8 ft. 4 in.)			
I	Track Width	400 mm (16 in.)			
J	Undercarriage Width	2.00 m (6 ft. 7 in.)			
K	Ground Clearance	340 mm (13.4 in.)			
L	Tail Swing Radius				
	Standard Arm	1.00 m (3 ft. 3 in.)			
	Long Arm with Extra Counterweight	1.08 m (3 ft. 7 in.)			
M	Engine Cover Height	1.51 m (4 ft. 11 in.)			
N	Maximum Blade Lift Above Ground	430 mm (16.9 in.)			
O	Maximum Blade Drop Below Ground	335 mm (13.2 in.)			
P	Sprocket Center To Idler Center	1.99 m (6 ft. 6 in.)			
Q	Track Length	2.50 m (8 ft. 2 in.)			
R	Counterweight Clearance	610 mm (24 in.)			



Lift Capacities					
Ground Level at 3.05-m (10 ft.) Radius		1.38-m (4 ft. 6 in.) Standard Arm and Canopy	1.38-m (4 ft. 6 in.) Standard Arm and Cab	1.69-m (5 ft. 7 in.) Long Arm and Canopy	1.69-m (5 ft. 7 in.) Long Arm and Cab
Over Front, Blade Down (limited by hydraulics), Standard or Extra Counterweight		2387 kg (5,258 lb.)	2387 kg (5,258 lb.)	2353 kg (5,183 lb.)	2353 kg (5,183 lb.)
Over Side					
	Standard Counterweight	1045 kg (2,301 lb.)	1079 kg (2,377 lb.)	1026 kg (2,261 lb.)	1061 kg (2,336 lb.)
	Extra Counterweight	1178 kg (2,595 lb.)	1212 kg (2,670 lb.)	1160 kg (2,555 lb.)	1194 kg (2,630 lb.)

Additional equipment

Key: ● Standard ▲ Optional or special

See your John Deere dealer for further information.

17D	27D	35D	50D	Engine
●				Meets EPA Final Tier 4/EU Stage IV emissions
	●	●	●	Meets EPA Interim Tier 4/EU Stage IIIB emissions
●	●	●	●	Engine coolant to -37 deg. C (-34 deg. F)
●	●	●	●	Engine preheater
●	●	●	●	Fan guard
●	●	●	●	Fuel/water separator
●	●	●	●	Full-flow oil filter
●	●	●	●	Isolation mounted
●	●	●	●	Key start switch with electric fuel shutoff
●	●	●	●	Single dry-type air filter
●	●	●	●	Under-hood muffler
Hydraulic System				
●				Auxiliary function foot control
	●	●	●	Auxiliary function right-hand pilot-lever control
●	●	●	●	Auxiliary hydraulic lines with quick-couplers to end of boom
●	●	●	●	Auxiliary return-flow selector valve
●	●	●	●	Axial-piston swing motor
●	●	●	●	Boom-swing foot control
●	●	●	●	Excavator-to-backhoe control pattern change valve
●	●	●		Open center with 2 variable-displacement pumps and 1 fixed-gear pump
			●	Closed center load sensing with 1 variable-displacement pump and 1 fixed-gear pump
●	●	●	●	Hydraulic pilot-operated controls for boom, arm, bucket, swing, boom swing, blade, and travel
●	●	●	●	Wet-disc swing brake
Undercarriage				
●				Hydraulic-adjustable variable width
●	●	●	●	Planetary final drive
●	●	●	●	Propel motor shield
●	●	●	●	2-speed axial-piston propel motors
●				Rubber track, 230 mm (9 in.)
	●	●		Rubber track, 300 mm (12 in.)
			●	Rubber track, 400 mm (16 in.)
▲				Steel track, 230 mm (9 in.) with triple semi-grousers
	▲	▲		Steel track, 300 mm (12 in.) with triple semi-grousers
			▲	Steel track, 400 mm (16 in.) with triple semi-grousers
▲				Rubber crawler pad, 230 mm (9 in.)

17D	27D	35D	50D	Undercarriage (continued)
	▲	▲		Rubber crawler pad, 300 mm (12 in.)
			▲	Rubber crawler pad, 400 mm (16 in.)
Upperstructure				
●	●	●	●	360-deg. rotation
●				Counterweight, 230 kg (507 lb.)
	●			Counterweight, 292 kg (644 lb.)
		●		Counterweight, 566 kg (1,246 lb.)
			●	Counterweight, 660 kg (1,455 lb.)
●	●	●	●	Hinged service-access doors
	●	●	●	1-piece airtight floor
●	●	●		Toolbox (canopy)
			●	Toolbox (cab and canopy)
●	●	●	●	ROPS/TOPS/FOPS (canopy)
	▲	▲	▲	ROPS/TOPS/FOPS cab with air conditioning and heater
	●	●	●	Vandal protection for service doors, fuel cap, and toolbox
●				Reduced-tail-swing configuration
	●	●	●	Zero-tail-swing configuration
Front Attachments				
●				Arm, 0.93 m (3 ft. 1 in.)
	●			Arm, 1.17 m (3 ft. 10 in.)
		●		Arm, 1.35 m (4 ft. 4 in.)
			●	Arm, 1.38 m (4 ft. 6 in.)
▲				Long arm, 1.13 m (3 ft. 8 in.), includes additional 80-kg (176 lb.) counterweight
	▲			Long arm, 1.47 m (4 ft. 10 in.), includes additional 190-kg (420 lb.) counterweight
		▲		Long arm, 1.75 m (5 ft. 8 in.), includes additional 235-kg (518 lb.) counterweight
			▲	Long arm, 1.69 m (5 ft. 7 in.), includes additional 220-kg (485 lb.) counterweight
●	●	●	●	Articulation hose shield
●				Backfill blade, 0.98 m (3 ft. 3 in.) minimum to 1.28 m (4 ft. 2 in.) maximum
	●			Backfill blade, 1.55 m (5 ft. 1 in.)
		●		Backfill blade, 1.74 m (5 ft. 9 in.)
			●	Backfill blade, 2.00 m (6 ft. 7 in.)
		▲	▲	Hydraulic angle backfill blade
●				Boom, 1.82 m (6 ft.)
	●			Boom, 2.10 m (6 ft. 10.5 in.)
		●		Boom, 2.465 m (8 ft. 1 in.)
			●	Boom, 2.85 m (9 ft. 4.2 in.)
●	●	●	●	Mechanical quick-coupler
▲				Augers: Chain drive / Bits / Bit adapters

17D	27D	35D	50D	Front Attachments (continued)
	▲	▲	▲	Augers: Planetary / Chain drive / Bits / Bit adapters
▲	▲	▲	▲	Clamp
▲	▲	▲	▲	Hammers: Points / Tools
▲	▲	▲	▲	Quick-coupler buckets: Bucket teeth / Ditching / Heavy-duty
Operator's Station				
●	●	●	●	Horn
●	●	●	●	Hour meter
●	●	●	●	Instrumentation lights
●	●	●	●	Monitor system: Preheat indicator / Engine oil pressure indicator with alarm / Alternator voltage indicator / Fuel gauge and low-fuel-level indicator / Engine coolant temperature gauge and engine coolant temperature indicator with alarm / Hour meter / Work lights indicator
●	●	●	●	Motion alarm with cancel switch
●	●	●	●	Work lights switch
●				Propel levers
	●	●	●	Propel levers and foldable pedals
●				2 travel speeds
	●	●	●	2 travel speeds with automatic shifting
●	●	●	●	Seat belt, 51 mm (2 in.), retractable
▲	▲	▲	▲	Seat belt, 76 mm (3 in.), retractable
●	●	●	●	Vinyl seat with fore/aft adjustment
	▲	▲	▲	Suspension seat
▲	▲	▲	▲	Front screen
	▲	▲	▲	Rear secondary exit kit
Electrical				
●	●	●	●	12-volt accessory outlet
●	●			Alternator, 40 amp
		●	●	Alternator, 55 amp
●	●	●	●	Low-maintenance battery
●	●	●	●	Blade-type multi-fused circuits
●	●	●	●	Positive-terminal battery covers
▲	▲	▲	▲	JDLINK™ wireless communication system (available in specific countries; see your dealer for details)
Lights				
●				Work lights: 1 mounted on boom
	●	●	●	Work lights: Halogen / 1 mounted on operator's station / 1 mounted on boom

Net engine power is with standard equipment including air cleaner, exhaust system, alternator, and cooling fan at test conditions per ISO 9249. No derating is required up to 2000-m (6,600 ft.) altitude for the 17D. These machines are not equipped with spark-arrestor mufflers. Usage in forestry applications is not recommended. Specifications and design subject to change without notice. Wherever applicable, specifications are in accordance with SAE standards. Except where otherwise noted, these specifications are based on canopy units with standard arms; full fuel tanks; and 79-kg (175 lb.) operators; 17D unit with 450-mm (17.7 in.), 0.04-m³ (1.5 cu. ft.) bucket, 230-mm (9 in.) rubber track, and 230-kg (507 lb.) counterweight; 27D unit with 457-mm (18 in.), 0.7-m³ (2.3 cu. ft.) bucket, 300-mm (12 in.) rubber track, and 292-kg (644 lb.) counterweight; 35D unit with 610-mm (24 in.), 0.11-m³ (4.0 cu. ft.) bucket, 300-mm (12 in.) rubber track, and 566-kg (1,246 lb.) counterweight; and 50D unit with 610-mm (24 in.), 0.16-m³ (5.7 cu. ft.) bucket, 400-mm (16 in.) rubber track, and 660-kg (1,455 lb.) counterweight. Lift capacities shown are for base machines above with mechanical quick-couplers, less buckets.

