



CMC MODEL

# 72HD<sup>+</sup> ARBOR PRO



**TECHNICAL DATA SPECSHEET**



# 72HD<sup>+</sup> ARBOR PRO

## TECHNICAL SPECIFICATIONS // DIMENSIONS

AAE

<b>A</b>	Basket height (basket is removable, variations available) .....	43"
<b>B</b>	Basket width .....	27"
<b>C</b>	Basket length .....	55"
<b>D</b>	Total length (with basket) .....	21' 3"
<b>E</b>	Length without basket .....	18' 9"
<b>F</b>	Height in transport position .....	78"
<b>G</b>	Total width (without basket) .....	35"
<b>H</b>	Free height from the ground .....	7"
<b>I</b>	Tracks (LxW) .....	69" x 10"
<b>J</b>	Outrigger spread length in narrow position .....	13' 6"
<b>K</b>	Outrigger spread width in narrow position .....	8' 10"
<b>L</b>	Outrigger spread length in wide position .....	11' 6"
<b>M</b>	Outrigger spread width in wide position .....	11' 6"
<b>N</b>	Outrigger spread wide to narrow .....	10' 2"
<b>O</b>	Outrigger foot diameter .....	6"

	Maximum working height .....	72'
	Maximum side reach at 176 lbs .....	41'
	Maximum side reach at 265 lbs .....	38' 8"
	Maximum side reach at 507 lbs .....	32' 6"
	Maximum weight load with standard basket .....	507 lbs
	Maximum weight load with optional single man fiberglass basket .....	n/a
	Moveable Jib articulating range .....	90°
	Turret rotation range .....	+/-360°
	Basket rotation range .....	+/- 90°
<b>P</b>	Maximum slope to stabilize (deployment) .....	15° (27%)
	Height / Width tracks adjustment .....	18"
<b>W</b>	Maximum slope approach angle / slope .....	31° (57%)
<b>X</b>	Gradeability -- max. travel angle / slope* .....	17° (30%)
	Maximum crawler travel speed** .....	1.5 mph

\*This is the standard setting. The standard setting can be overridden to: 31° (60.1%)

\*\*3 speeds: Slow, Slow with Torque, Fast

### WEIGHT

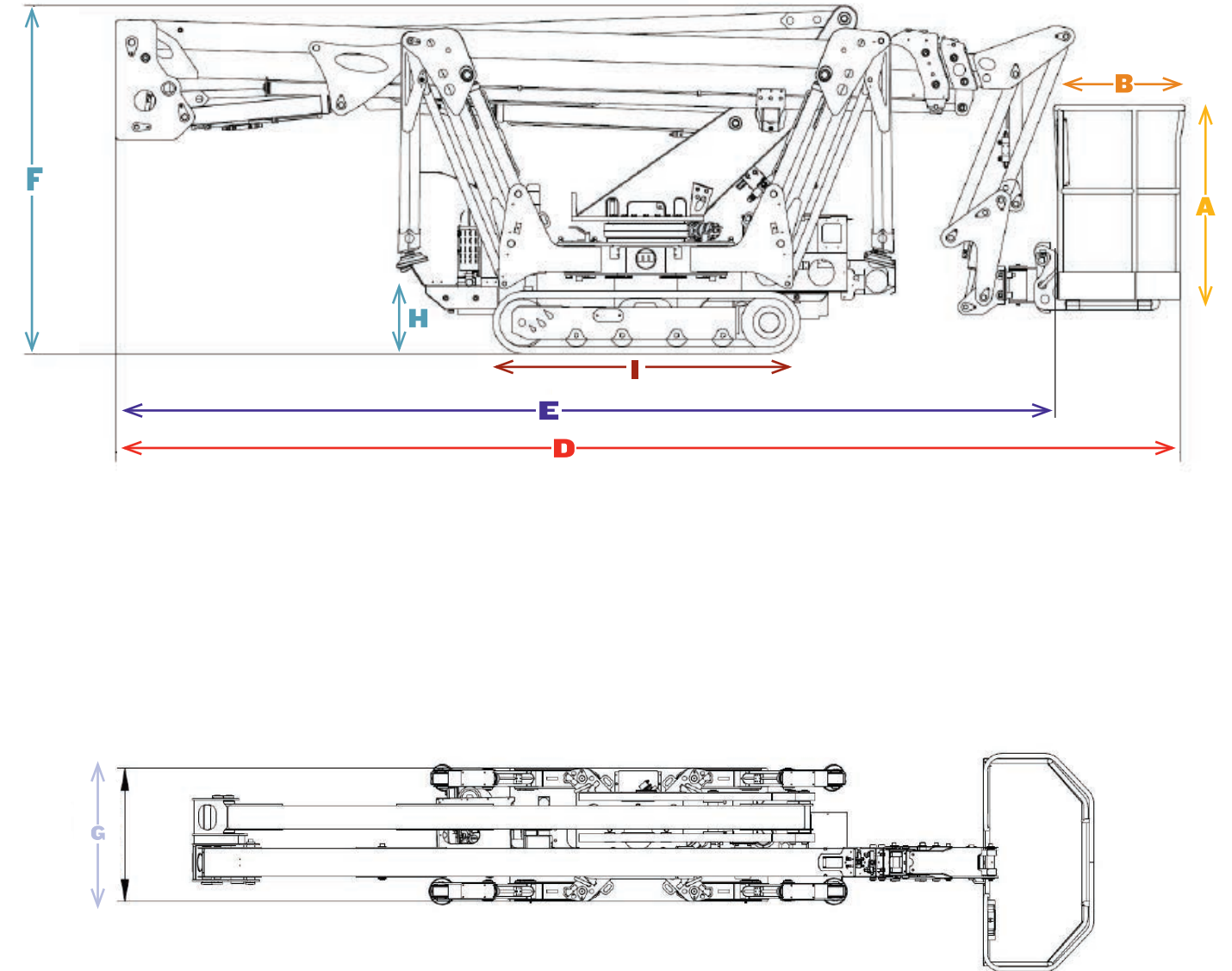
	Total weight .....	6,614 lbs
<b>R</b>	Maximum outrigger foot pressure .....	7.07 kg/cm <sup>2</sup> - 69.4 N/cm <sup>2</sup>
<b>S</b>	Maximum track pressure .....	(0.17 kg/cm <sup>2</sup> - 1.67 N/cm <sup>2</sup> )
<b>T</b>	Maximum pressure in travel .....	5 PSI (600 kg/m <sup>2</sup> - 5.85 kN/m <sup>2</sup> )
<b>U</b>	Maximum pressure in work (wide outrigger setup) .....	214 kg/m <sup>2</sup> - 2.1 kN/m <sup>2</sup>
<b>V</b>	Maximum pressure in work (narrow outrigger setup) .....	234 kg/m <sup>2</sup> - 2.3 kN/m <sup>2</sup>

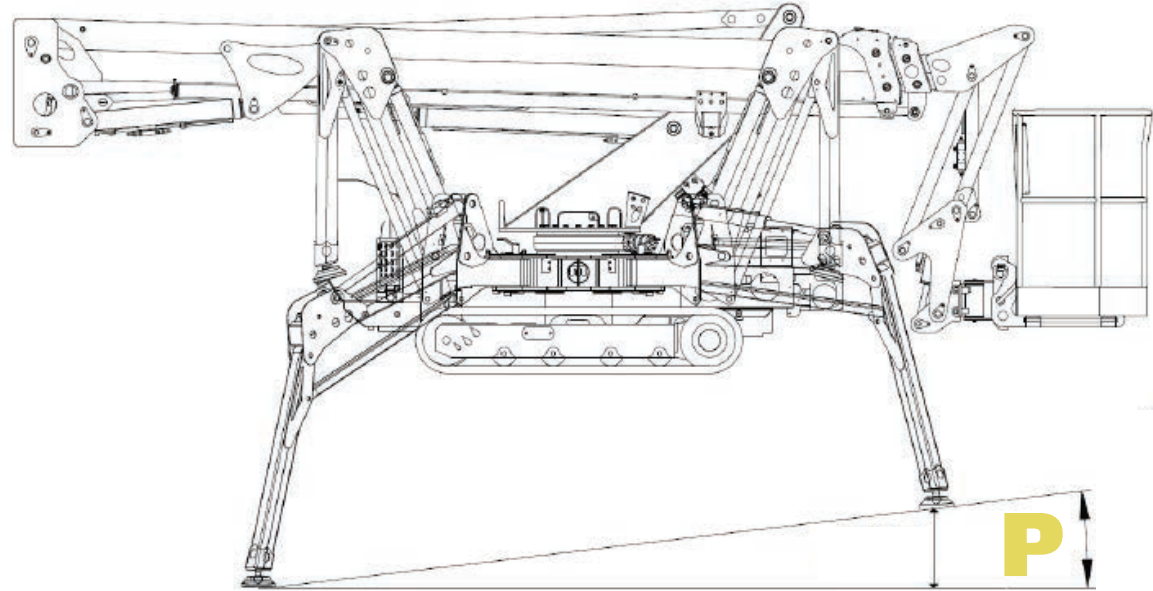
\*Weight under each outrigger during normal use: 1,890.00 lbs (10.74 PSI when using standard 8" x 22" outrigger pads included with lift)

### POWER

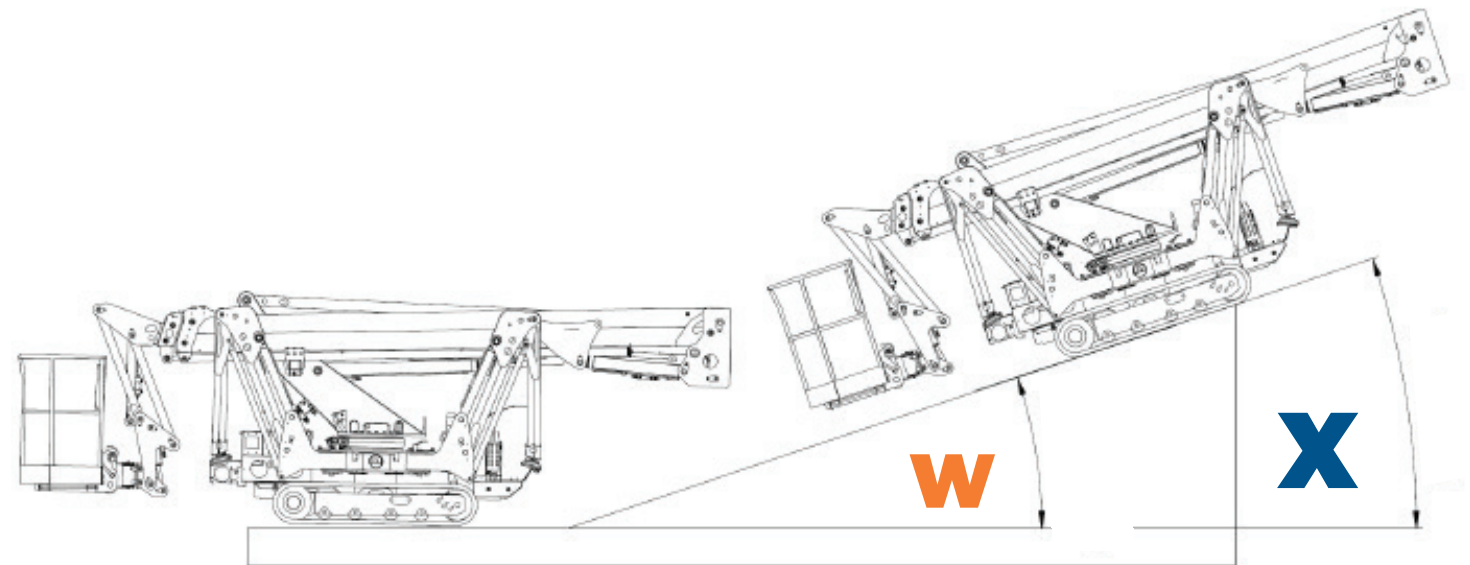
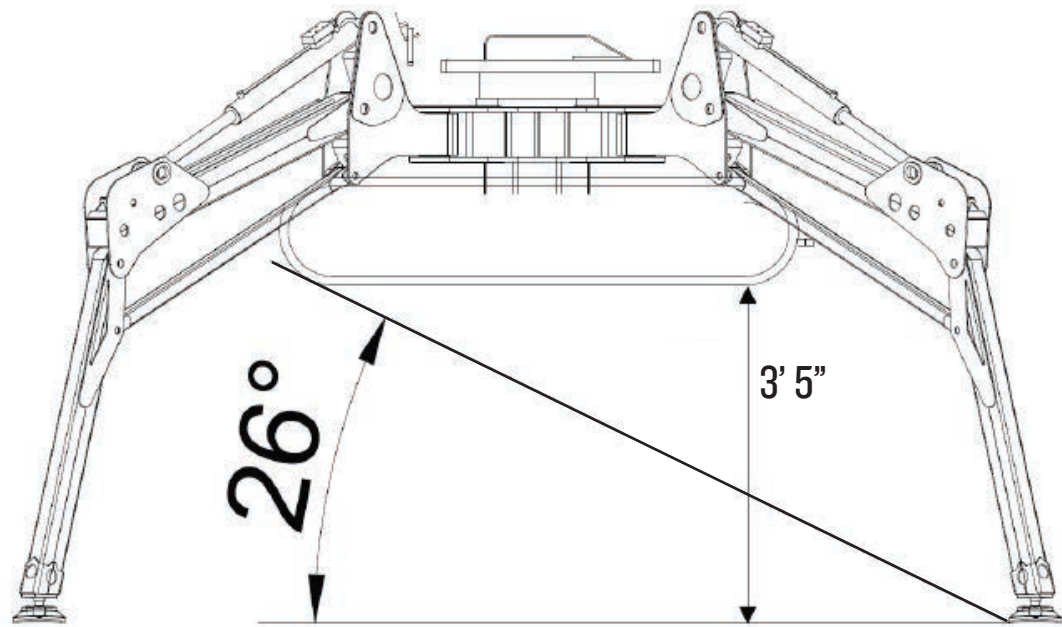
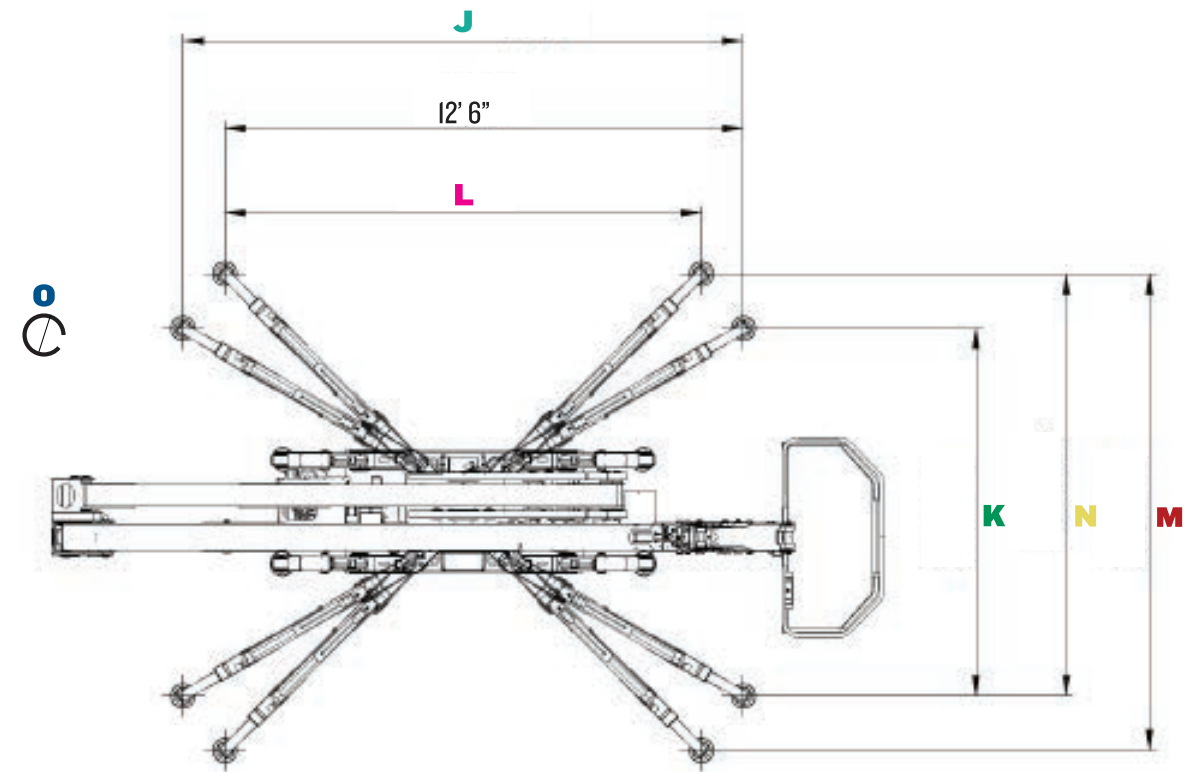
	Kubota Z602-E3B diesel engine .....	17 HP
	Diesel fuel tank capacity .....	4 gallons
	120V 20A plug in electric motor (optional)	

Preliminary technical data specifications subject to change.





Maximum Slope to Stabilize 15° or 27%



Maximum Slope Approach Angle 31° (57%)

Climbing Maximum 17° (30%)  
(standard setting: 31° or 60.1%)



**72HD+ ARBOR PRO**  
**Reach Diagram**

 = 507 lbs

