



8085

All Wheel Steer Loaders



The 8085 T4F all wheel steer wheel loader offers easy transport and maneuverability around the job site. This wheel loader features a long wheelbase for smooth driving and easy handling. Counterweights are located far behind the rear axle for higher payloads and stability. Three steering modes offer excellent maneuverability, overall machine stability and increased performance. Machine design features a T4F 74 HP engine with maintenance free after-treatment (DOC) with a focus of the placement of components for access and serviceability.

- Tier 4 Final Deutz engine with maintenance-free DOC aftertreatment provides power and efficient operation
- Hydraulically operated universal attachment plate allows for efficient changing from one accessory to another without leaving the operator's station
- Three steering modes (All-wheel, 2-wheel and Crab) provide excellent maneuverability in any operating condition
- Operator's station offers a spacious and functional layout for operator comfort and provides a panoramic view
- Certain models are available with 25 mph/40 kph and high flow auxiliary hydraulics



8085 Technical specifications

Engine / Motor

| | |
|-----------------------------|-----------------------|
| Engine / Motor manufacturer | Deutz |
| Engine / Motor type | TCD 2.9 |
| Engine performance | 73.7 hp |
| Displacement | 176.9 in ³ |

Electrical system

| | |
|-------------------|-------|
| Operating voltage | 12 V |
| Battery | 77 Ah |
| Alternator | 95 A |

Weights

| | |
|------------------------------|-------------|
| Operating weight | 10,471.9 lb |
| Breakout force | 9,172 lbf |
| Payload | 4,739.9 lb |
| Tipping load standard bucket | 8,046.8 lb |
| Tipping load pallets | 5,919.4 lb |

Vehicle data

| | |
|--------------------|---------------------|
| Bucket capacity | 1.1 yd ³ |
| Speed Level series | 20 |

Hydraulic system

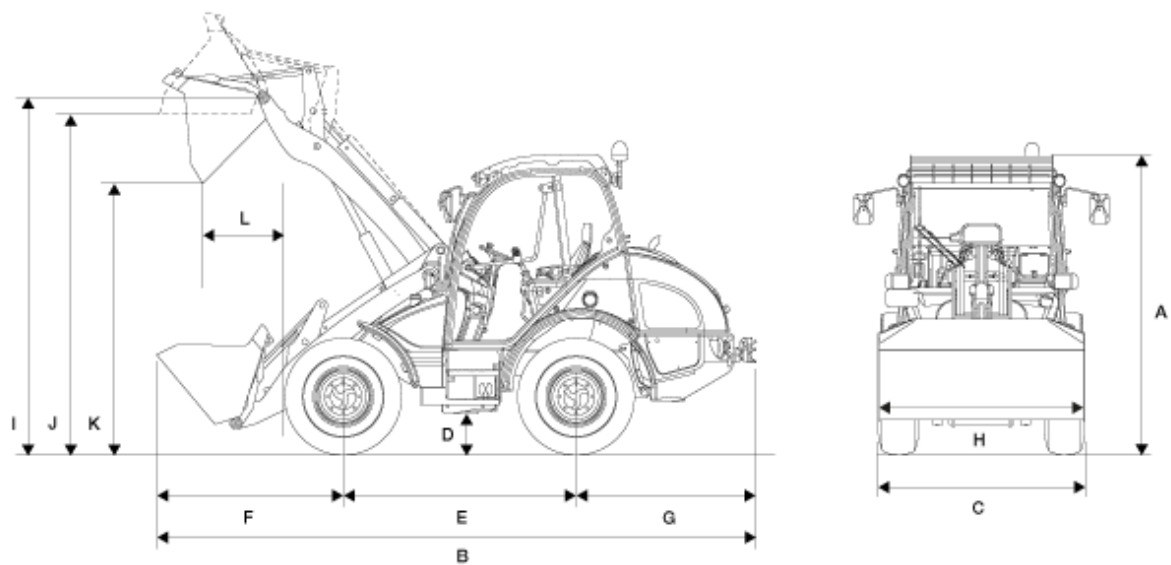
| | |
|---|-------------|
| Operating hydraulics - operating pressure | 3,190.9 psi |
| Operating hydraulics - discharge capacity | 18.2 US gpm |

Filling capacities

| | |
|--------------------|-------------|
| Fuel tank capacity | 22.1 US gal |
| Hydraulic oil tank | 52.8 US qt |



8085 Dimensions



Dimensions

| | | |
|---|---------------------------------------|----------|
| A | Height | 97.6 in |
| B | Overall length | 207.9 in |
| C | Overall width | 70.1 in |
| D | Ground clearance | 13 in |
| E | Wheelbase | 79.5 in |
| F | Center of front axle to tip of teeth | 69.7 in |
| G | Center of rear axle to end of vehicle | 58.7 in |
| H | Bucket width | 72.8 in |



**WACKER
NEUSON**
all it takes!

| | | |
|---|-------------------------|----------|
| I | Hinge pin height | 129.5 in |
| J | Overhead loading height | 123.6 in |
| K | Dump height max. | 100.8 in |
| L | Dump reach | 25 in |
| | Stack height | 119.7 in |

Please note

that product availability can vary from country to country. It is possible that information / products may not be available in your country. More detailed information on engine power can be found in the operator's manual; the stated power may vary due to specific operating conditions.

Subject to alterations and errors excepted. Applicable also to illustrations.

Copyright © 2019 Wacker Neuson SE.