



**WACKER
NEUSON**
all it takes!

8115L

All Wheel Steer Loaders



Productive and comfortable wheel loader for larger jobs

The 8115L all-wheel steer wheel loader offers the power and capacity for larger jobs, but has a compact design to access hard to reach areas. Three steering modes (four-wheel, two-wheel and crab steering) are electronically synched and provide maximum maneuverability in any operating environment. Load high sided trucks and bins with 11-feet, 11-inch hinge pin height.

- One-piece chassis and fixed center of gravity allow for constant payloads and increased stability
- Class-leading 100-hp engine delivers maximum power for lifting and hydraulic performance
- Diesel Oxidation Catalyst (DOC) with Selective Catalytic Reduction (SCR) aftertreatment means no diesel particulate filter, no regeneration, no maintenance
- Ergonomically designed cab layout includes pressurized cab, wide door for easy entry/exit, ample leg room with adjustable and telescoping steering wheel, HVAC with defrost, ergonomic joystick
- Standard hydraulic universal attachment plate provides greater versatility with ability to use nearly any attachment



8115L Technical specifications

Engine / Motor

Engine / Motor manufacturer	Deutz
Engine performance (standard)	100 hp
at rpm	2,300 rpm
Displacement	219 in ³

Weights

Operating weight	13,338 lb
Breakout force bucket	9,419 lbf
Payload (S=1.25)	6,393.34 lb
Tipping load (with bucket)	9,479.78 lb

Vehicle data

Bucket capacity (standard bucket)	1.5 yd ³
Speed (standard)	12.4 mph
Speed (optional)	24.8 mph
Standard tires	405/70-24
Differential lock	100% connectable

Hydraulic system

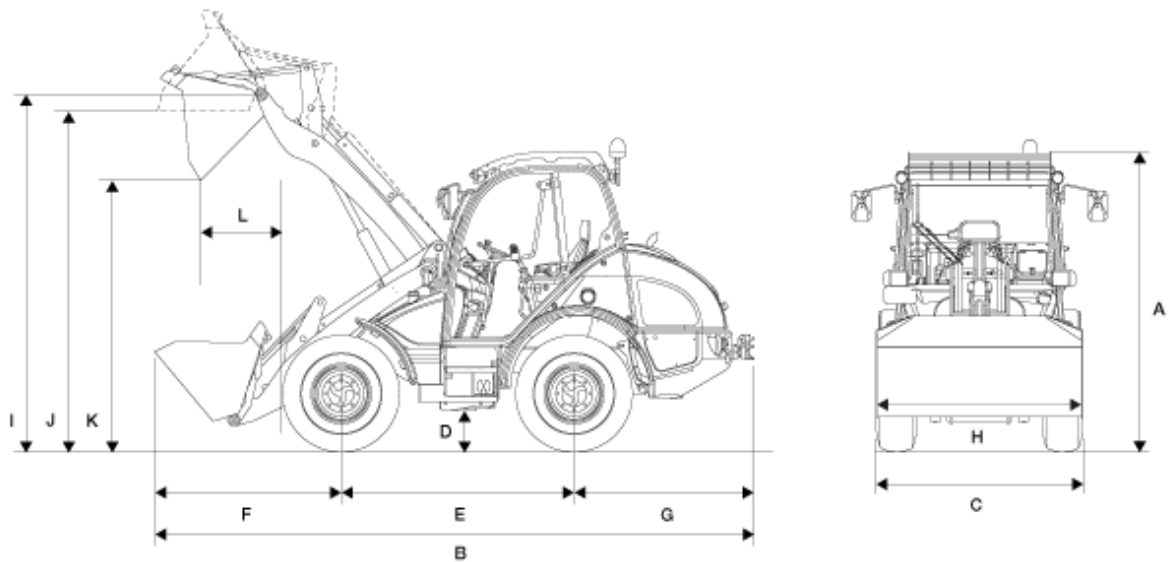
Operating hydraulics - operating pressure operating pressure	3,481 psi
Operating hydraulics - discharge capacity discharge capacity	22.2 US gpm

Filling capacities

Fuel tank capacity	31.7 US gal
Tank capacity hydraulic oil	16.9 US gal



8115L Dimensions



Dimensions

A	Height	105.51 in
B	Overall length	228.35 in
C	Overall width	77.56 in
D	Ground clearance	15.35 in
E	Wheelbase	84.65 in
F	Center of front axle to tip of teeth	79.92 in
G	Center of rear axle to end of vehicle	63.78 in
H	Bucket width	84.65 in



**WACKER
NEUSON**
all it takes!

I	Hinge pin height	143.3 in
J	Overhead loading height	135 in
K	Dump height max.	116.9 in
	Stack height	125.98 in
	Inside turning radius (over tires)	116.14 in

Please note

that product availability can vary from country to country. It is possible that information / products may not be available in your country. More detailed information on engine power can be found in the operator's manual; the stated power may vary due to specific operating conditions.

Subject to alterations and errors excepted. Applicable also to illustrations.

Copyright © 2019 Wacker Neuson SE.