



**WACKER
NEUSON**
all it takes!

SW20

Skid Steer Loaders



SW20 Vertical Lift Skid Steer Loader

The SW20 offers the power and torque needed for any jobsite. This unit delivers 2,000 pounds of rated operating capacity at 50% and is a class leader with lift height up to 124 inches. The machine is equipped with a 56 hp turbo-charged Kohler Tier 4 Final engine offering class-leading engine torque. Mechanical Hand-Foot and Selectable EH controls ensures operators with any control preference can efficiently operate the machine. With spacious door width and height, visibility of the attachment and the surroundings is superior to the competition.

- Ergonomically designed operator station offers a wide door, angled pedals and foot-bed, and conveniently located switches, allowing for significantly reduced operator fatigue.
- Category leading hydraulic horsepower of 36.8 hp allows for the ability to maximize the efficiency of high-performance attachments.
- Tier 4 Final Kohler engines comes with industry-leading 4 year, 4,000 hour warranty. Maintenance free, filter free, and regeneration free aftertreatment eliminates extreme heat during regeneration and allows the operator to spend more time concentrating on the job site and less time changing filters.
- Designed with maintenance access in mind, engine checkpoints are within easy reach making daily maintenance quick and simple.
- The 30-gallon fuel tank gives operators 30% more time in the cab, and less time refueling.



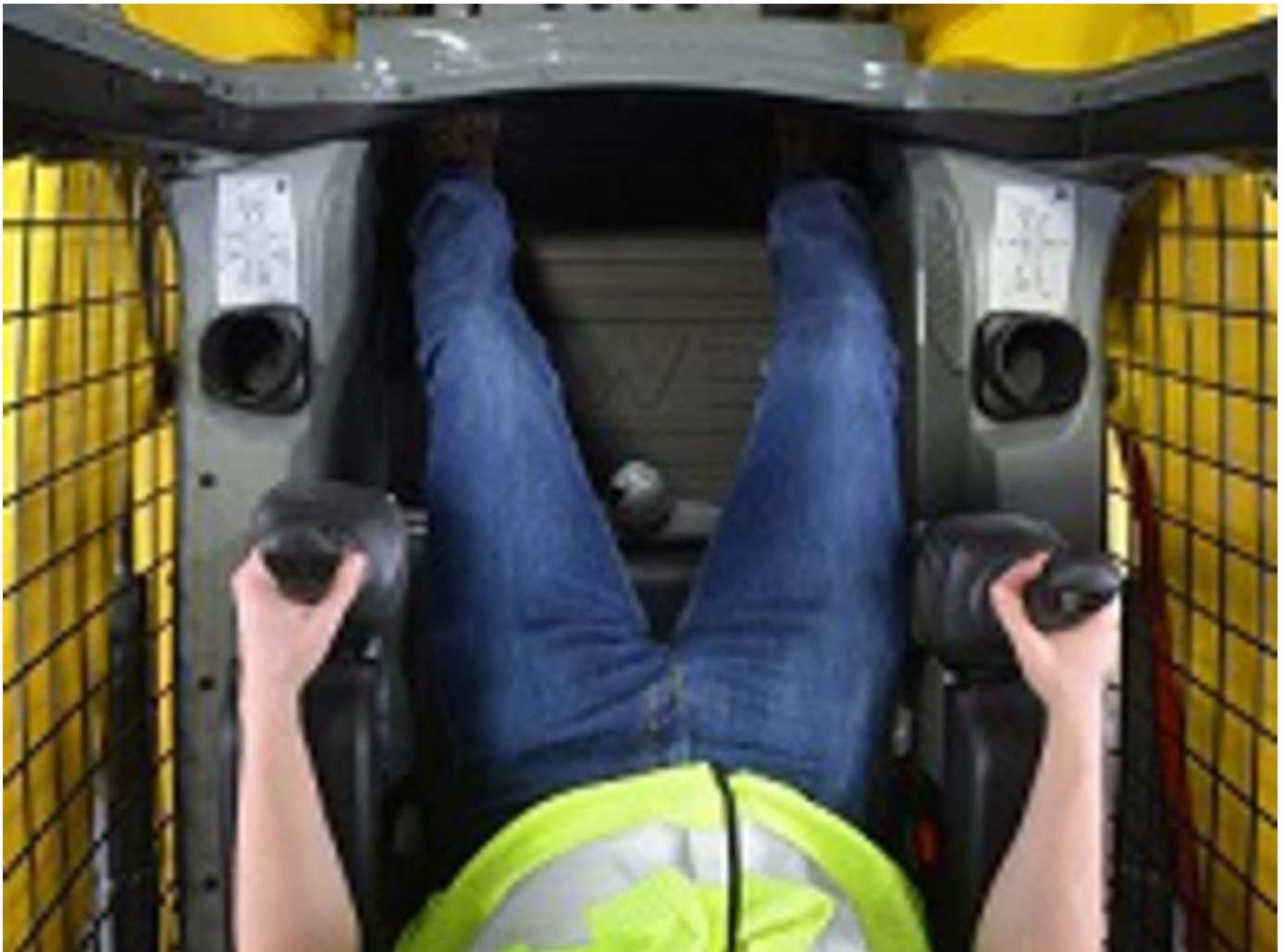
**WACKER
NEUSON**
all it takes!





Ergonomic Cab Design

- A wide door and step as well as ergonomically located handles make entry and exit easy regardless of the size of the operator
 - Large, illuminated switches give quick accessibility to controls regardless of the time of day or whether the operator is wearing gloves.
 - With the low mounted tilt cylinders and the spaciouly designed door, sloped rear engine compartment, and large side windows, operator visibility is maximized 360°.
-
- From switch location and layout to an angled foot rest in the floor board, the cab was purposefully designed to be stay in for long amounts of time and to significantly reduce operator fatigue.
 - Joysticks are mounted to the suspension/air ride seat minimizing unwanted movements in rough conditions.





SW20 Technical specifications

SW20

Operating data

Height Top Of ROPS	81.5 in
Overall length w/ bucket	134.9 in
Overall length w/o bucket	106.6 in
Operating weight	6,437 lb
Height Hinge Pin Max	124 in
Rated Operating Capacity 50%	2,000 lb
Dump reach	34.1 in
Dump height max. at max height	96.5 in
Angle of departure	24 °
Tipping angle (Bucket dump) w/bucket at max height	42 °
Ground clearance	7.6 in
Breakout force max. - Bucket	5,300 lbf
Breakout force max. - Boom	5,000 lbf
Width	65.9 in

Engine / Motor

Engine / Motor manufacturer	Kohler
Engine / Motor	KDI 1903 TCR
Engine performance	56 hp
Displacement	113.6 in ³
RPM / speed	2,750 rpm
Battery	950 CCA
Fuel tank capacity	30 US gal

Hydraulic system

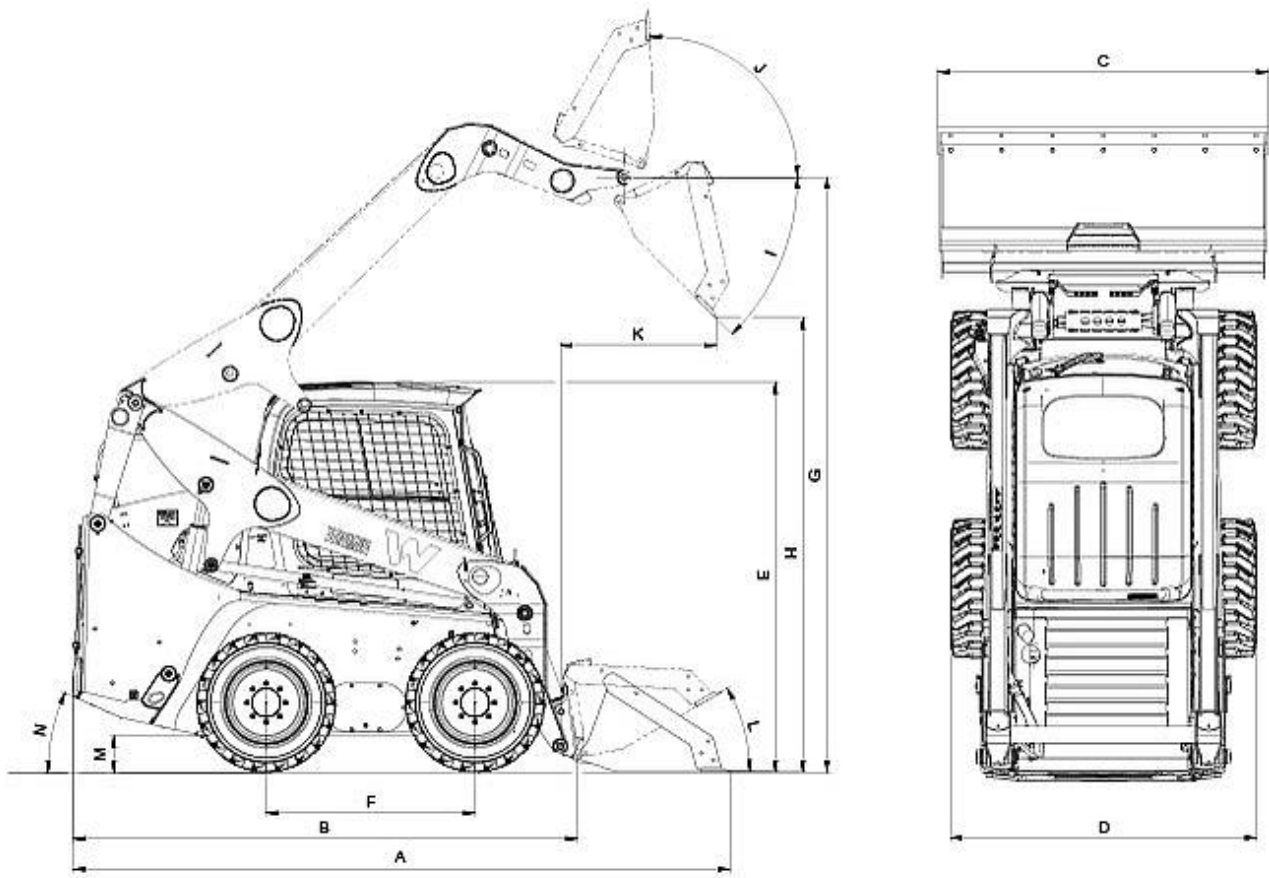
Auxiliary Hydraulics- Standard Flow	20 US gpm
Pressure Aux. relief	3,500 psi
Hydraulic oil tank	2.9 US gal

Power transmission

Travel speed (low)	8 mph
Travel speed (high)	12 mph
Standard tires	10 x 16.5



SW20 Dimensions



SW20

A	Overall length with bucket	134.9 in
B	Overall length without bucket	106.6 in
D	Overall width without bucket	65.9 in
	Overall width without bucket (Large Tires)	67.9 in
E	Overall height	81.5 in
	Overall height (Large Tires)	83 in
F	Wheelbase	43.5 in
G	Hinge pin height	124 in
	Hinge pin height (Large Tires)	125.5 in



H	Dump height max.	96.5 in
	Dump height max. (Large Tires)	97.2 in
I	Dump angle	42 °
J	Bucket rollback at max. stroke height	30 °
K	Dump reach	37.9 in
L	Bucket rollback at ground level	30 °
M	Ground clearance	7.6 in
	Ground clearance (Large Tires)	9.1 in
N	Angle of departure	24 °

Please note

that product availability can vary from country to country. It is possible that information / products may not be available in your country. More detailed information on engine power can be found in the operator's manual; the stated power may vary due to specific operating conditions.

Subject to alterations and errors excepted. Applicable also to illustrations.

Copyright © 2019 Wacker Neuson SE.