



**WACKER
NEUSON**
all it takes!

SW24

Skid Steer Loaders



SW24 Radial Lift Skid Steer Loader

The SW24 brings power and efficiency to any job site. This unit delivers 2,350 pounds of rated operating capacity at 50% and a lift height up to 125 inches. The machine is equipped with a 74.3 hp turbo-charged Perkins Tier IV Final engine. Available in both H-pattern and ISO joystick pilot controls, the machine can fit the preferences of any user. The ergonomically designed controls and pressurized cab delivers comfort and visibility, reducing operator fatigue.

- Standard two-speed transmission increases travel time on job sites giving the operator more time throughout the day to get more tasks completed.
- Spacious extended cab maximizes room and comfort for the operator to move inside the cab.
- Quick and easy service access from the forward tilting cab and the arrangement of internal components makes it easy to maintain this machine.
- Hydraulically driven fan operates on an as-needed basis allowing faster warm-up times of the engine and significantly reducing noise.
- Optional high flow hydraulics increases the range of usable attachments improving efficiency and productivity.



SW24 Technical specifications

Operating data

Height top of ROPS	81.9 in
Overall length w/ bucket	144.2 in
Overall length w/o bucket	116.1 in
Operating weight	7,865 lb
Height Hinge Pin Max	125.2 in
Rated Operating Capacity 50%	2,350 lb
Dump height max. at max height	95.2 in
Angle of departure	25 °
Tipping angle (bucket dump) w/bucket at max height	45 °
Ground clearance	9.4 in
Breakout force max. - Bucket	6,717 lbf
Breakout force max. - Boom	5,309 lbf
Bucket width	72 in
Width w/o bucket	70 in
Wheelbase	45.8 in

Engine / Motor

Engine / Motor	Turbo-Charged Perkins 854 Tier 4 Final
Engine performance	74 hp
Fuel tank capacity	24.3 US gal

Hydraulic system

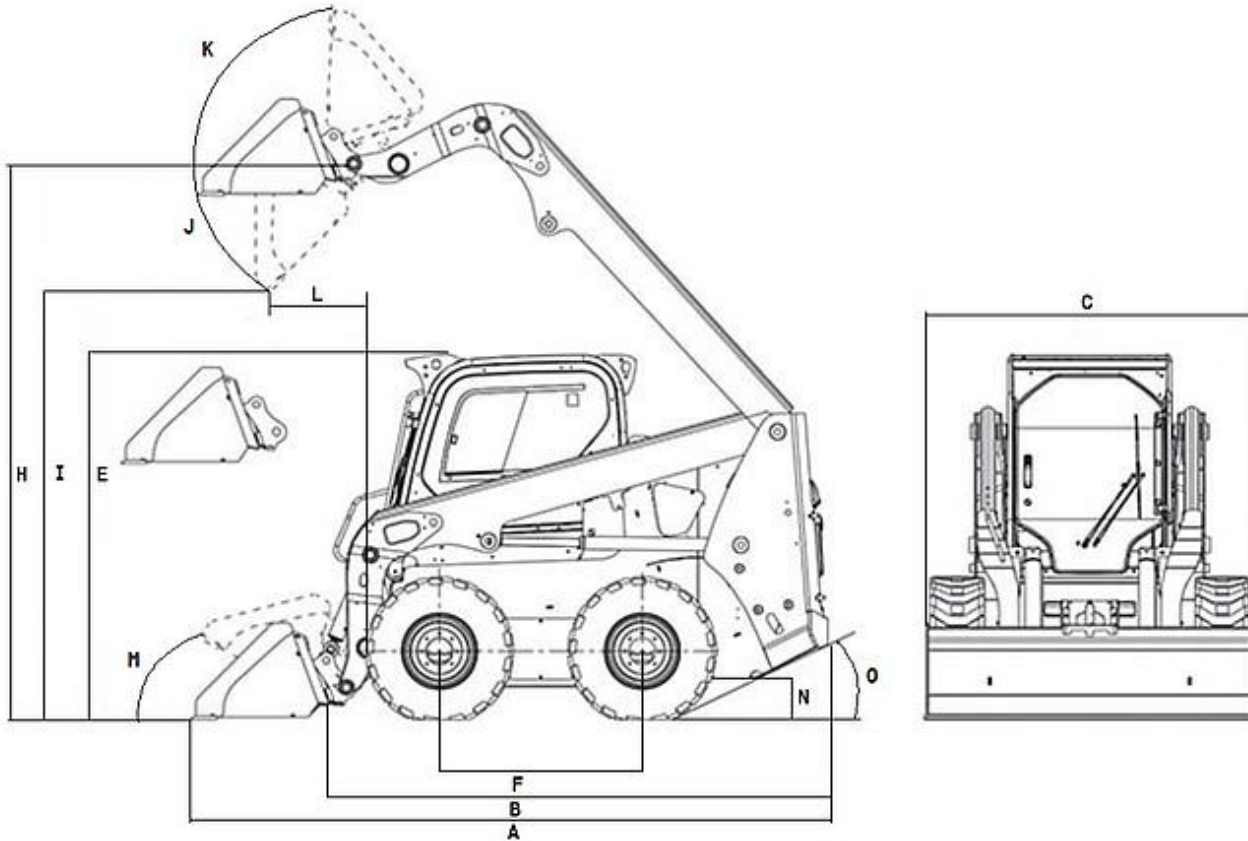
Auxiliary Hydraulics- Standard Flow	22.5 US gpm
Auxiliary Hydraulics- High Flow	35.9 US gpm
Pressure Aux. relief	3,338 psi

Power transmission

Travel speed Low	6.8 mph
Travel speed High	11.2 mph



SW24 Dimensions



A	Overall length with bucket	144.2 in
B	Overall length without bucket	116.1 in
C	Overall width with bucket	72 in
	Overall width without bucket	70 in
E	Overall height	81.9 in
F	Wheelbase	45.8 in
H	Hinge pin height	125.2 in
I	Dump height max.	95.2 in
J	Dump angle	45 °



**WACKER
NEUSON**
all it takes!

K	Bucket rollback at max. stroke height	45 °
L	Dump reach	22.6 in
M	Bucket rollback at ground level	30.5 °
N	Ground clearance	9.4 in
O	Angle of departure	25 °

Please note

that product availability can vary from country to country. It is possible that information / products may not be available in your country. More detailed information on engine power can be found in the operator's manual; the stated power may vary due to specific operating conditions.

Subject to alterations and errors excepted. Applicable also to illustrations.

Copyright © 2019 Wacker Neuson SE.