



## SW28

Skid Steer Loaders



### SW 28 Vertical Lift Skid Steer Loader

The SW 28 brings maximum reach making it ideal for loading and unloading. The SW 28 delivers 2,800 pounds of rated operating capacity at 50% and a lift height up to 134 inches. The machine is equipped with a 74.3 hp turbo-charged Perkins Tier IV Final engine. Available in both H-pattern and ISO joystick pilot controls, the machines can fit the preferences of any user. The ergonomically designed controls and pressurized cab delivers comfort and visibility, reducing operator fatigue, increasing productivity.

- Standard two-speed transmission increases travel time on the job sites giving the operator more time throughout the day to get more tasks completed.
- Spacious extended cab maximizes room and comfort for the operator to move inside the cab.
- Optional high flow hydraulics increase the range of usable attachments improving efficiency and productivity.
- Quick and easy service access from the forward tilting cab and the arrangement of internal components makes it easy to maintain the machine.
- Hydraulically driven fan operates on an as-needed basis allowing faster warm-up times of the engine and significantly reducing noise.



## SW28 Technical specifications

### Operating data

Height top of ROPS	81.9 in
Overall length w/ bucket	143.9 in
Overall length w/o bucket	115.8 in
Operating weight	8,253 lb
Height Hinge Pin Max	134.6 in
Rated Operating Capacity 50%	2,800 lb
Dump height max. at max height	107.1 in
Angle of departure	25 °
Tipping angle (bucket dump) w/bucket at max height	38 °
Tipping angle (bucket dump) w/bucket pin @ 124 in	45.5 °
Ground clearance	9.4 in
Breakout force max. - Bucket	6,717 lbf
Breakout force max. - Boom	5,705 lbf
Bucket width	72 in
Width w/o bucket	70 in
Wheelbase	45.8 in

### Engine / Motor

Engine / Motor	Turbo-Charged Perkins 854 Tier 4 Final
Engine performance	74 hp
Tank capacity	24.3 US gal

### Hydraulic system

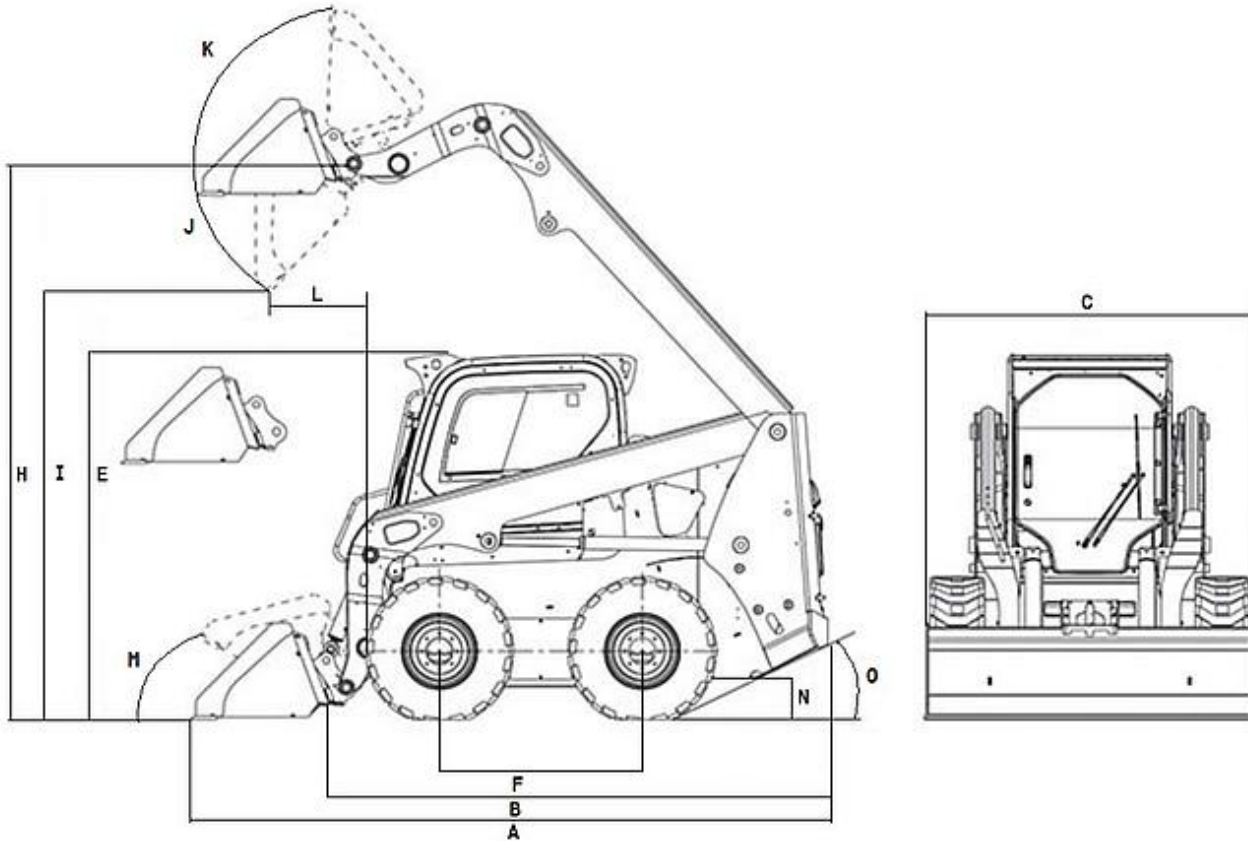
Auxiliary Hydraulics- Standard Flow	22.5 US gpm
Auxiliary Hydraulics- High Flow	35.9 US gpm
Pressure aux. relief	3,338 psi

### Power transmission

Travel speed (low)	6.8 mph
Travel speed (high)	11.2 mph



## SW28 Dimensions



A	Overall length with bucket	143.9 in
B	Overall length without bucket	115.8 in
C	Overall width with bucket	72 in
	Overall width without bucket	70 in
E	Overall height	81.9 in
F	Wheelbase	45.8 in
H	Hinge pin height	134.6 in
I	Dump height max.	107.1 in
J	Dump angle	38 °



K	Bucket rollback at max. stroke height	45.5 °
L	Dump reach	352 in
M	Bucket rollback at ground level	30.5 °
N	Ground clearance	9.4 in
O	Angle of departure	25 °

Please note

that product availability can vary from country to country. It is possible that information / products may not be available in your country. More detailed information on engine power can be found in the operator's manual; the stated power may vary due to specific operating conditions.

Subject to alterations and errors excepted. Applicable also to illustrations.

Copyright © 2019 Wacker Neuson SE.