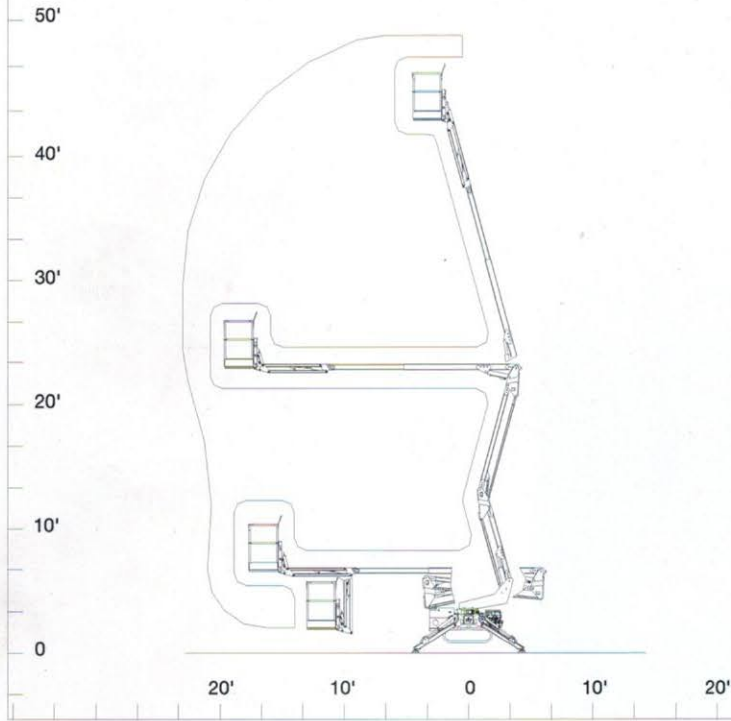


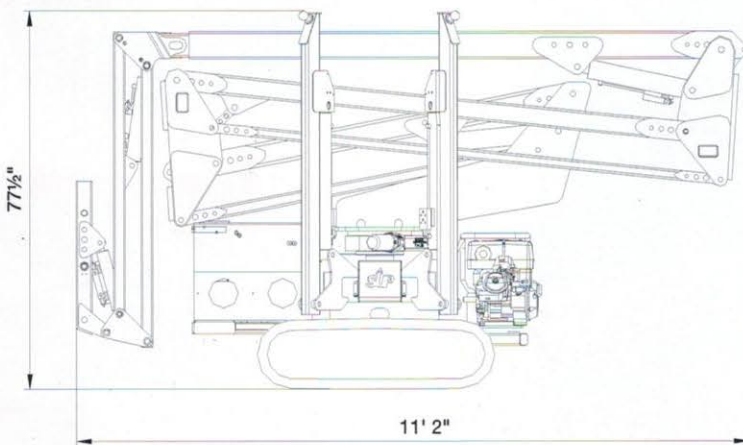
CRAWLER 50

Crawler 50 Reach and Travel Positions

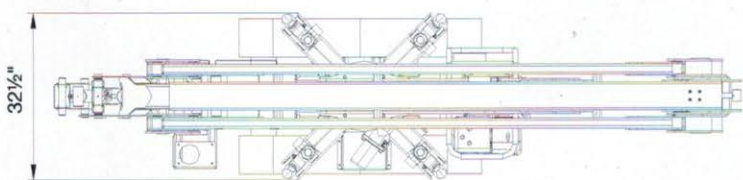
Reach Diagram



Travel Position Diagram (without basket)



side view



top view



CRAWLER 50

Technical Specifications

Working height	49' 8"
Height to bottom of basket	42'
Lateral reach with 440 lbs	23'
Length in travel position (without basket)	11' 8"
Length in travel position (with basket)	13' 8"
Width in travel position (without basket)	32½"
Height in travel position	77½"
Standard basket dimensions	48" L x 28" W x 43" H
Single/variable proportional/ engine adjustable drive speed	0 – 1.5 mph
Turret rotation	359 degrees
Maximum recommended slope travel	17 degrees slope, 32% gradeability
Maximum PSI under tracks	7.26 PSI
Maximum PSI under outriggers (with max basket load/worst position)	91.3 PSI
Maximum PSI under outriggers (with standard 15" x 15" pad)	7.97 PSI
Maximum basket capacity	440 lbs
Standard footprint	8' 10" x 8' 10"
Adjustable track width	32" – 44"
Total weight	3,660 lbs
POWER	
Honda GX-390 air cooled gas engine	13 hp
Electric motor	120V 20A 2.2 KW

Technical data subject to change

