

# 750T

## Telescopic Wheel Loaders



**WACKER  
NEUSON**  
*all it takes!*



### All Wheel Steer Teleloader

The 750T wheel loader features a telescopic boom for additional height, added versatility and greater production. This all wheel steer model offers excellent maneuverability, overall machine stability and the telescopic boom provides extra reach for stacking and dumping. This all-purpose wheel loader features a long wheelbase for smooth driving and easy handling even across rough terrain.

- Telescoping boom for extra reach, stacking and dumping height.
- Operator station offers a spacious and functional layout for operator comfort.
- Hydraulically operated quick-hitch allows for efficient changing from one accessory to another without leaving the operator's station.
- All wheel steer and rigid frame provide excellent maneuverability and constant payload stability even when turning.
- Engine cover lifts high giving excellent access to all the service points.

## 750T Technical specifications

### Engine / Motor

Engine / Motor manufacturer	Deutz
Engine performance	60.3 hp

### Operating data

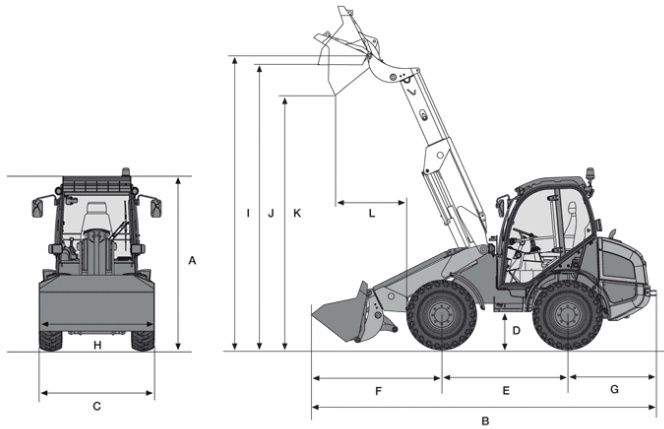
Operating weight	11,243.5 lb
Speed	0-12.4 mph
Bucket capacity max.	1.5 yd <sup>3</sup>
Lifting force	6,744.2 lb
Breakout force	11,015.6 lbf
Payload S=1.25	3,814 lb
Tipping load	5,952.4 lb
Standard tires	12.5-18
Differential lock	Self-locking differential
Service brake	Hydraulic disc brake

### Steering and operating hydraulics

Operating hydraulics - operating pressure	3,045.8 psi
Discharge capacity	18.5 US gpm
Steering angle	2 x 40 °

We reserve the right to make modifications without prior notice. No responsibility is taken for the accuracy of this information. The provisions of the contractual agreement shall be considered definitive.

## 750T Dimensions



<b>I</b>	Hinge pin height extended	183.5 in
<b>J</b>	Overhead loading height extended	177.6 in
<b>K</b>	Dump height max. extended	157.5 in
	Stack height extended	174.8 in
<b>L</b>	Dump reach extended	48.4 in

We reserve the right to make modifications without prior notice. No responsibility is taken for the accuracy of this information. The provisions of the contractual agreement shall be considered definitive.

Please note: that product availability can vary from country to country. It is possible that information / products may not be available in your country. More detailed information on engine power can be found in the operator's manual; the stated power may vary due to specific operating conditions. Subject to alterations and errors excepted. Applicable also to illustrations.  
Copyright © 2019 Wacker Neuson SE.